



Item #135527
Model #UMB-952515

USE AND CARE GUIDE

9' DOUBLE TOP FAUX WOOD MARKET



Questions, problems, missing parts? Before returning to the store,
call Hampton Bay Customer Service
8 a.m. - 7 p.m., EST, Monday – Friday, 9 a.m. – 6 p.m., EST, Saturday

01 800 004 6633

HOMEDEPOT.MX

IMPORTER: SERVICIOS HOME DEPOT, S. DE R.L. DE C.V.
Ricardo Margain 605 Santa Engracia, San Pedro
Garza García, Nuevo León, México C.P. 66267
Tel. 01 800 004 6633

THANK YOU


We appreciate the trust and confidence you have placed in Hampton Bay through the purchase of this bistro set. We strive to continually create quality products designed to enhance your home. Visit us online to see our full line of products available for your home improvement needs. Thank you for choosing Hampton Bay!

Table of Contents

Safety Information 2
Warranty 2
Care and Cleaning 2
Pre-Assembly 3
 Planning Assembly 3
 Package Contents 3
Assembly 4-5

Safety Information


 **WARNING:** Keep children away from the umbrella during assembly to avoid injury.


 **WARNING:** Read the entire instructions before beginning and follow the steps outlined. Failure to assemble and install as instructed could result in the umbrella tipping over, causing personal injury and/or property damage.


READ ALL INSTRUCTIONS BEFORE USE


To reduce the risk of injury to persons:


1. Close supervision is necessary when this furnishing is used by or near children, or disabled persons, if applicable.
2. Use this furnishing only for its intended use as described in these instructions. Do not use attachments not recommended by the manufacturer.


 **WARNING:** Do not use the umbrella during periods of high winds and rain as this may result in personal injury and/or damage.

 **INFORMATION:** Be sure to secure and/or weight base of the umbrella.

 **INFORMATION:** Close the umbrella and use the canopy storage straps or ties when umbrella is not in use.

 **INFORMATION:** Schematics in this manual are for assembly and operation illustration only. They may differ from umbrella's actual appearance.

 **CAUTION:** We recommend that you insert the umbrella into an umbrella base (not included) for securing the umbrella.

 **CAUTION:** Assemble and use on flat ground.

Warranty

90 DAY WARRANTY

WHAT IS COVERED

The frame is warranted to be free of manufacturing defects for 90 days from purchase date. If the frame of your furniture fails (i.e. broken frame or weld) within 90 days of ownership, Hampton Bay will repair, provide replacement parts, or replace the product at our option. Frame finishes are warranted against blistering, cracking, or peeling for one year from purchase date. This is a residential use warranty only. Warranty is void for product used in commercial settings. This warranty is a limited warranty and applies to the original purchase only. Proof of purchase is required.

WHAT IS NOT COVERED

Failure caused by unreasonable or abusive use, fire, freight damage, acts of nature (such as, but not limited to freezing or high winds), suntan oil or other chemicals, normal fading, scratching or chipping of the finish, fading, weathering or staining or discoloration of furniture, accidental damage, repair, or modifications by customer, glass breakage, normal wear and tear are excluded from the warranty. Furniture used in commercial, contract or any other non-residential applications; clearance items, and display models are not covered under this warranty. In no event shall Hampton Bay responsibility exceed the value of the replacement part/product. Freight damage is not covered under this warranty. Freight and packaging charges to return a product or part are not covered under this warranty.

Contact the Customer Service Team at 01 800 004 6633 or visit HOMEDEPOT.MX.

Warranty printed in the manual is not valid for Mexico.

Care and Cleaning

- Use mild soap and warm water to clean canopy. Rinse with water and dry thoroughly. Do not machine wash. Do not iron. Air dry the canopy thoroughly before storing for extended periods of time. Make sure the canopy is completely open during drying process to prevent shrinkage.
- If crank becomes too hard to turn, check to see if rope has slipped off pulley. If you continue to crank, the rope or crank handle may break. If parts have broken, call customer service, toll free.
- Placement of umbrella over or near a swimming pool will cause premature fading not covered under our warranty.

Pre-Assembly

PLANNING ASSEMBLY

Before beginning the assembly of this product, make sure all parts are present. Compare parts with Package Contents and Hardware Included lists. If any part is missing or damaged, do not attempt to assemble the product, and return it to the place of purchase.



WARNING: Keep children away from the umbrella during assembly to avoid injury.

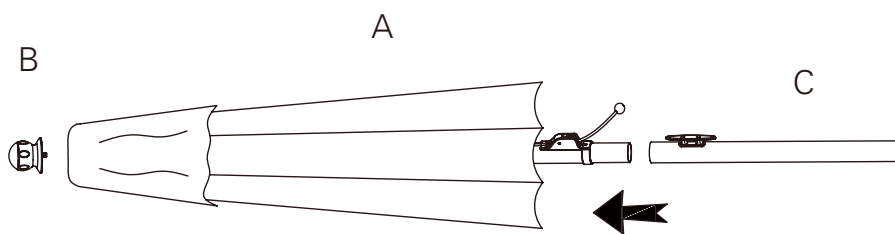


NOTE: We recommend that you insert the umbrella into an umbrella base or table (not included) for securing the umbrella.



CAUTION: Do not use sharp tools or equipment such as a knife or scissors when removing the protective material, as it may damage the product.

PACKAGE CONTENTS

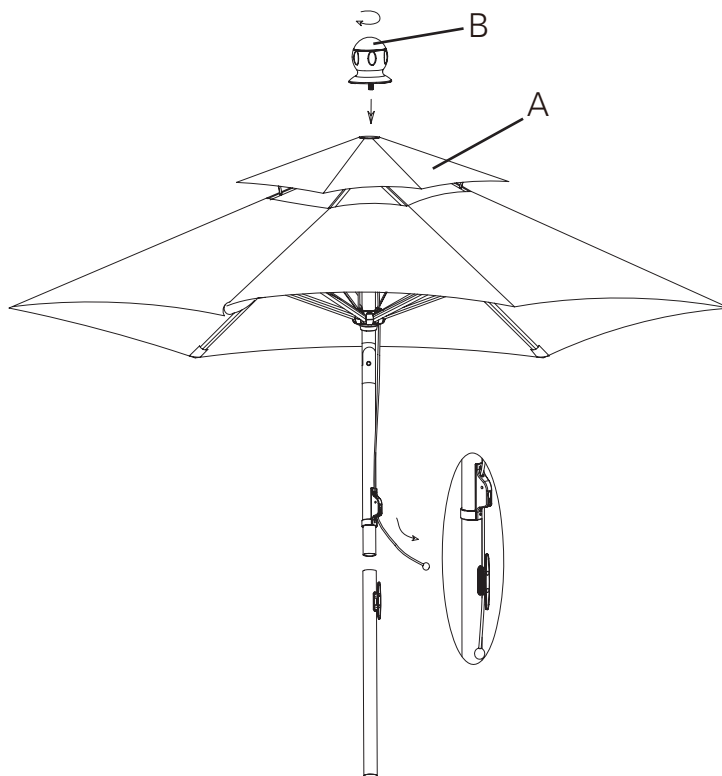


Part	Description	Quantity
A	Umbrella Frame with Canopy	1
B	Finial	1
C	Bottom Pole	1

Assembly

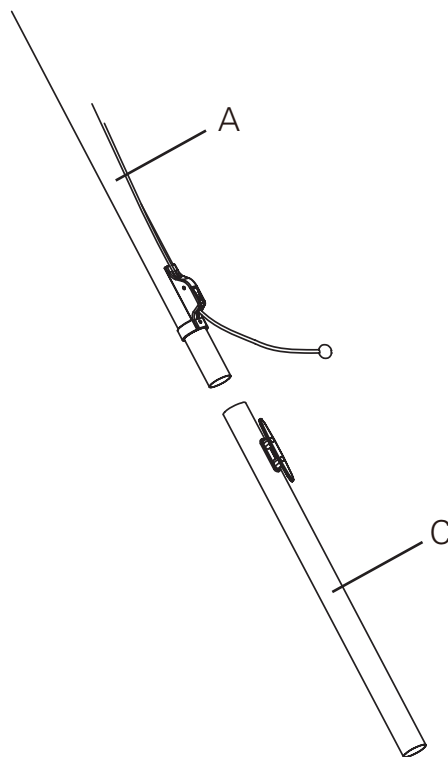
1 Attaching the Finial

- If not attached, align the finial (B) to the threading on top of the umbrella frame (A) and turn clockwise (to the right) to lock in to place. Do not over-tighten.



2 Inserting the Pole

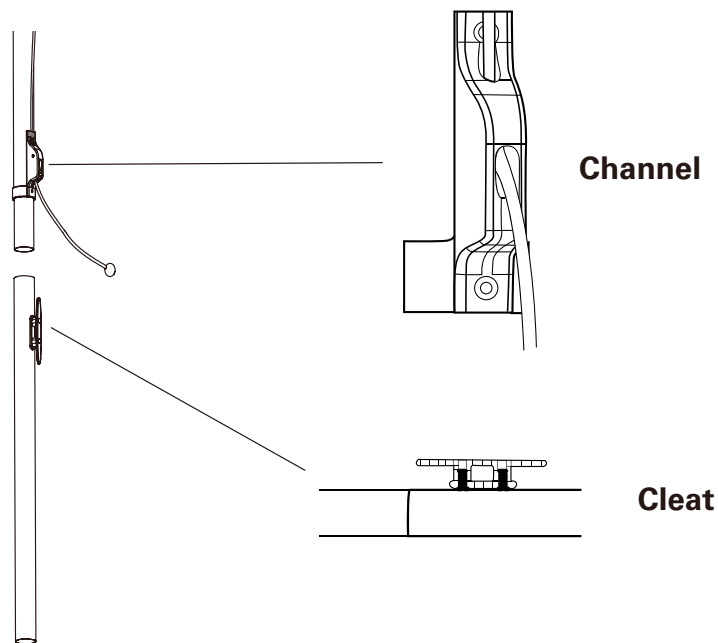
- Slide the bottom pole (C) into the umbrella frame (A), while pressing the snap button until it locks into position.



Assembly (continued)

3 Opening and Closing the Canopy

- To open the umbrella, pull down on the rope to open the umbrella canopy completely. Push the rope into the channel to lock the rope into position. Wrap the excess rope around the cleat. To close, unwind the rope from the channel. The canopy will close by itself.



4 Adjusting the Angle

- You can tilt the umbrella to your desired angle while pressing the button to release the umbrella top. Release the button to maintain the desired angle.





Questions, problems, missing parts? Before returning to the store,
call Hampton Bay Customer Service
8 a.m. - 7 p.m., EST, Monday-Friday, 9 a.m. - 6 p.m., EST, Saturday

01 800 004 6633

HOMEDEPOT.MX

Retain this manual for future use.