



# 9' Aluminum Crank & Tilt Market Umbrella

## Assembly & Care Instructions

SKU #: 272-0001  
Model #: UMB-933040

**IMPORTANT : RETAIN FOR FUTURE REFERENCE  
READ CAREFULLY**



The schematics in this manual are for assembly and operation illustration only.  
They may differ from the actual appearance.

For assistance with assembly, parts, or customer service, please contact:

**ATLeisure, LLC**

Toll Free: 1-855-880-7205 (English is offered)

8am - 5pm, Monday through Friday, Eastern Standard Time

Email: [customerservice@atleisure.com](mailto:customerservice@atleisure.com) or visit our website at [www.atleisure.com](http://www.atleisure.com)

DO NOT RETURN TO STORE

2019 Distributed by Menard, Inc., Eau Claire, WI 54703  
Made in China

# Contents

---

Preparation . . . . .	2
Package Contents . . . . .	2
Warnings and Cautions . . . . .	2
Canopy Care . . . . .	2
Assembly and Operation . . . . .	3
Warranty . . . . .	3

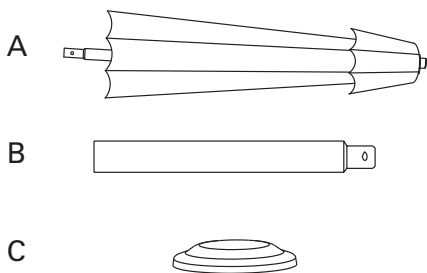
## Preparation

---

Before beginning assembly of product, make sure all parts are present. Compare parts with package contents list. If any part is missing or damaged, do not attempt to assemble the product or return to the place of purchase. Contact our customer service toll free at 1-855-880-7205 for replacement parts or further instructions.

## Package Contents

---



Part	Description	Quantity
A	Umbrella Frame with Canopy	1
B	Bottom Pole	1
C	Finial	1

For replacement parts, call our customer service department at 1-855-880-7205, 8:00am-5:00pm., EST, Monday-Friday.

## Warnings and Cautions

---

- Always take the umbrella down when not in use.
- Keep children away from umbrella during assembly to avoid injury.
- If the crank becomes too hard to crank, check to see if the rope has come off the pulley. If you continue to turn the crank, the rope or crank handle could break.
- **NOTE:** We recommend that you insert the umbrella into an umbrella base or table (not included) for securing the umbrella.
- **WARNING:** Do not use this umbrella during periods of high winds and rain. Failure to do so may result in personal injury and/or damage.

## Canopy Care

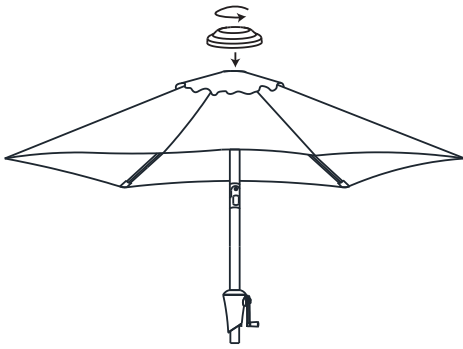
---

Simply clean the umbrella with a soft brush and mild detergent.

- DO NOT iron.
- DO NOT machine wash or dry.
- AIR DRY the canopy thoroughly before storing for extended period of time.

# Assembly and Operation

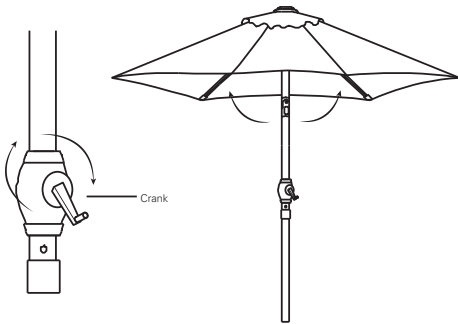
---



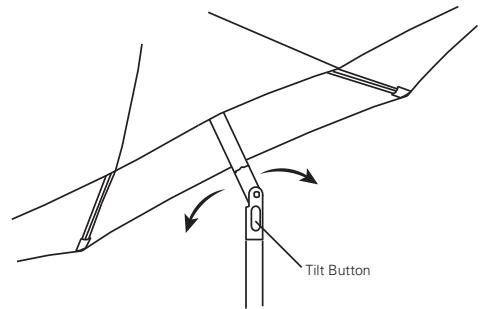
**Step 1:** Attach the finial on the umbrella top (if unattached) by screwing the finial onto the threaded top. Twist until secure but, do not over tighten.



**Step 2:** Insert the bottom pole into the upper pole while pressing the snap button on the bottom pole until the snap button locks into position.



**Step 3:** Turn the crank handle in clockwise direction to open the umbrella canopy, turn in the opposite direction to close the canopy.



**Step 4:** You can tilt the umbrella to your desired angle while pressing the tilt button to release the umbrella top. Release the button to maintain the desired angle.

TO CLOSE THE UMBRELLA IT MUST BE IN THE UPRIGHT POSITION.

## One Year Warranty

---

This product is covered under a manufacturer's one year warranty from date of purchase against defects in materials and workmanship. This warranty does not cover damage due to neglect, abuse or weather related damage. This warranty gives you specific legal rights, and you may also have other rights which vary from state to state.

If you are within your warranty, to file a claim you must have your receipt and pictures of your damaged umbrella.

BACKYARD  
*Creations*®

ATLeisure, LLC  
1040 Boulevard SE, Suite B  
Atlanta, Georgia 30312, USA

**Customer Service Toll Free 1-855-880-7205**

8am - 5pm Eastern Time, Monday through Friday

**[www.atleisure.com](http://www.atleisure.com)**

2019 Distributed by Menard, Inc., Eau Claire, WI 54703  
Made in China