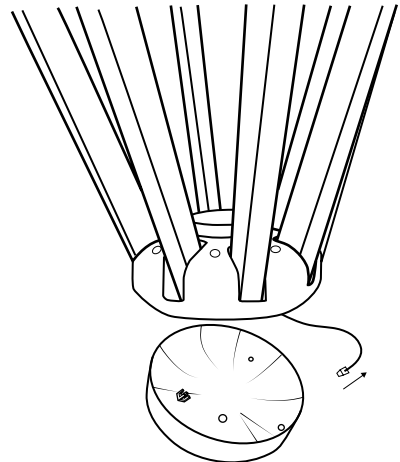
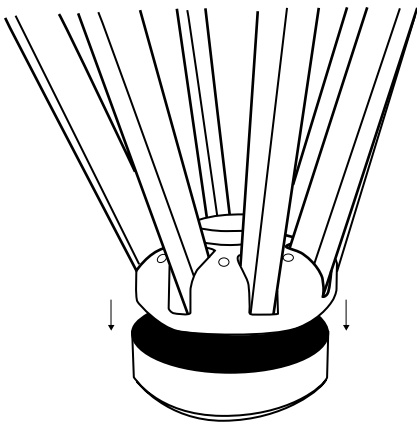
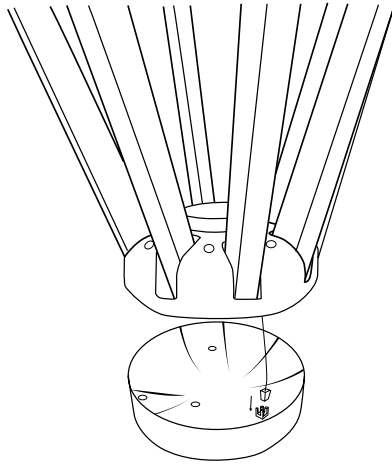


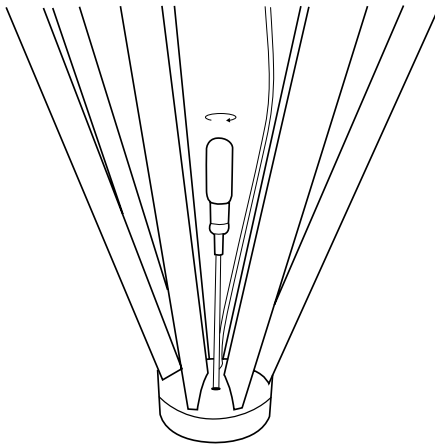
Step 1: Detach the cover by unscrewing the bolts as shown in the diagram above.



Step 2: Pull the plug out of the hub and remove the plug from the hub.



Step 3: Insert the plug into the new hub light.



Step 4: Reattach the cover with screws.