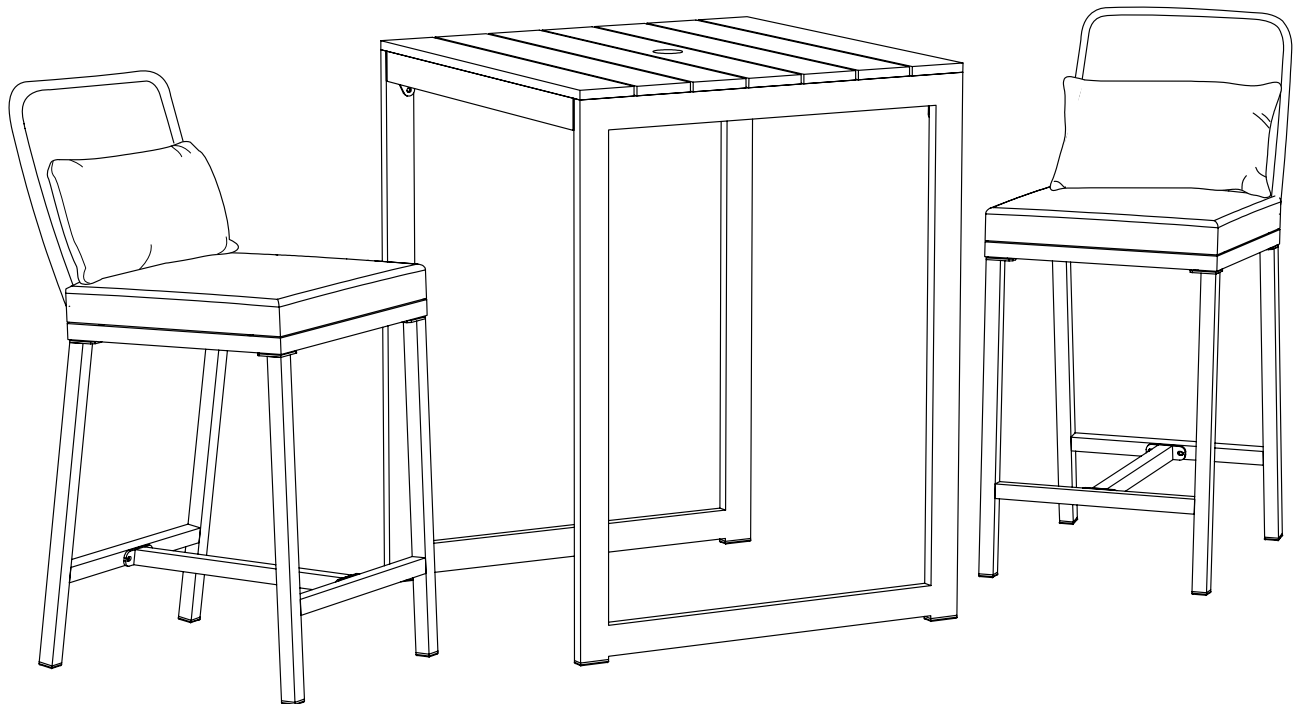




Item #1001198320
Model #FRN-108540

USE AND CARE GUIDE

CLAIR 3 PIECE PADDED WICKER BALCONY SET



Questions, problems, missing parts?

Before returning to the store, call Hampton Bay Customer Service
8 a.m. - 7 p.m., EST, Monday – Friday, 9 a.m. – 6 p.m., EST, Saturday

1-855-HD-HAMPTON

HOMEDEPOT.CA

THANK YOU

We appreciate the trust and confidence you have placed in Hampton Bay through the purchase of this balcony set. We strive to continually create quality products designed to enhance your home. Visit us online to see our full line of products available for your home improvement needs. Thank you for choosing Hampton Bay!

Table of Contents





Safety Information	2	Table Assembly	6
Warranty	2	Hardware Included	6
Care and Cleaning	2	Package Contents	6
Chair Assembly	3	Assembly	7-8
Hardware Included	3	Loveseat Assembly	9
Package Contents	3	Hardware Included	9
Assembly	4-5	Package Contents	9
		Assembly	10-11

Important Safety Instructions

READ ALL INSTRUCTIONS BEFORE USE

To reduce the risk of injury to persons:

1. Close supervision is necessary when this furnishing is used by or near children, or disabled persons, if applicable.
2. Use this furnishing only for its intended use as described in these instructions. Do not use attachments not recommended by the manufacturer.
3. This table is not intended to support an umbrella. Umbrellas must have a suitable base or stand.

	DANGER: Keep children out of the assembly area during assembly.
	WARNING: Do not stand on the table, chairs, or loveseat.
	CAUTION: Do not use sharp equipment such as a knife and scissors when removing the protective material, as it may damage the product.
	WARNING: Do not sit on table.

Warranty

2 YEAR LIMITED WARRANTY

WHAT IS COVERED

The frame is warranted to be free of manufacturing defects for two years from the purchase date. If the frame of your furniture fails (ie. broken frame or weld) within two years of ownership, Hampton Bay will repair, provide replacement parts, or replace the product at our option. Frame finishes are warranted against blistering, cracking, or peeling for two years from purchase date. This is a residential use warranty only. Warranty is void when product is used for commercial settings. This warranty is a limited warranty and applies to the original purchase only. Proof of purchase is required.

Contact the Customer Service Team at 1-855-HD-HAMPTON or visit HOMEDEPOT.CA.

Care and Cleaning

- Use mild soap and warm water to clean the table, chairs, and loveseat.
- Rinse with clean water and dry thoroughly.
- Any rust spots should be lightly sanded and treated with rust inhibitor, followed by an application of touch-up paint (not included).

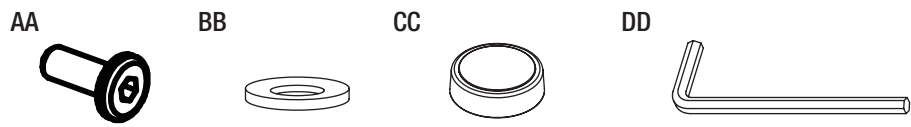
Table Assembly

PLANNING ASSEMBLY

Before beginning the assembly of this product, make sure all parts are present. Compare parts with Package Contents and Hardware Included lists. If any part is missing or damaged, do not attempt to assemble the product, and return it to the place of purchase.

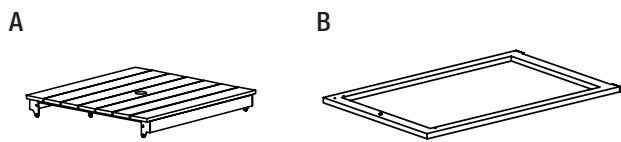
HARDWARE INCLUDED

 **NOTE:** Hardware not shown to actual size.



Part	Description	Quantity
AA	Bolt M6	10
BB	Washer	10
CC	Bolt Cap	10
DD	Hex Wrench	1

PACKAGE CONTENTS

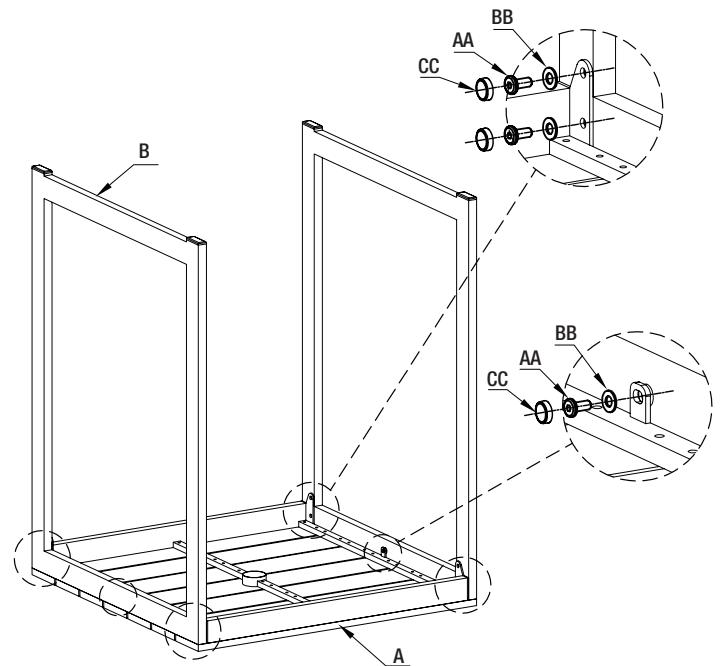


Part	Description	Quantity
A	Table Top	1
B	Table Leg	2

Table Assembly

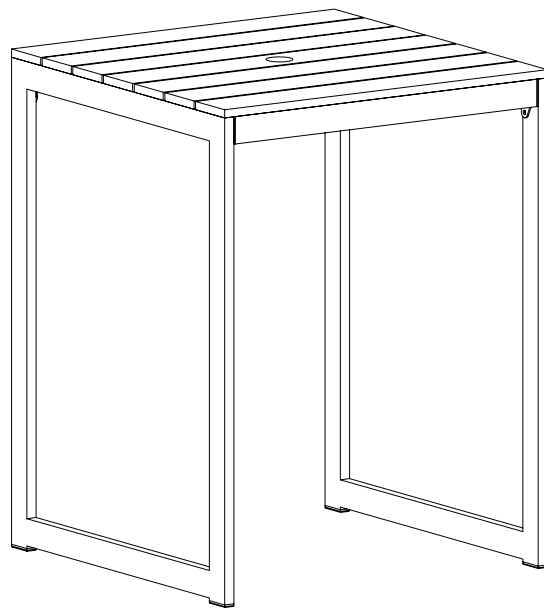
1 Attaching the Table Legs to the Table Top

- Connect the table top (A) to the table legs (B) with the bolts (AA), washers (BB) and bolt caps (CC).
- Do not fully tighten bolts.



2 Finishing the Assembly

- Turn the table upright and tighten all bolts.



Chair Assembly

PLANNING ASSEMBLY

Before beginning the assembly of this product, make sure all parts are present. Compare parts with Package Contents and Hardware Included lists. If any part is missing or damaged, do not attempt to assemble the product, and return it to the place of purchase.

HARDWARE INCLUDED

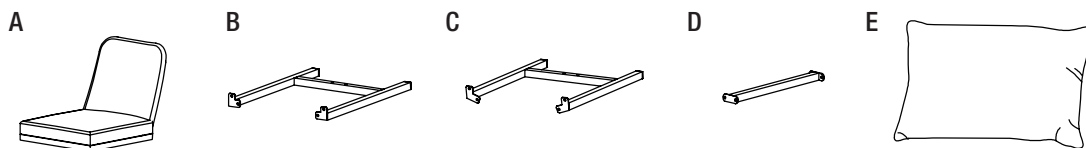


NOTE: Hardware not shown to actual size.



Part	Description	Quantity
AA	Bolt M6	12
BB	Washer	12
CC	Bolt Cap	12
DD	Hex Wrench	1

PACKAGE CONTENTS

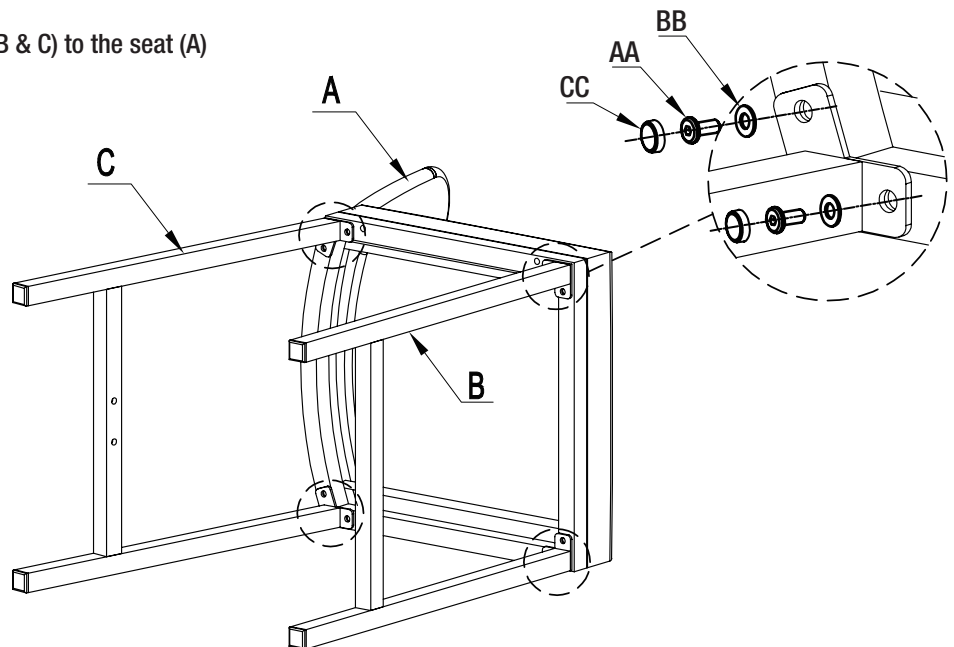


Part	Description	Quantity
A	Seat	1
B	Front Leg	1
C	Back Leg	1
D	Connecting Bar	1
E	Pillow	1

Chair Assembly

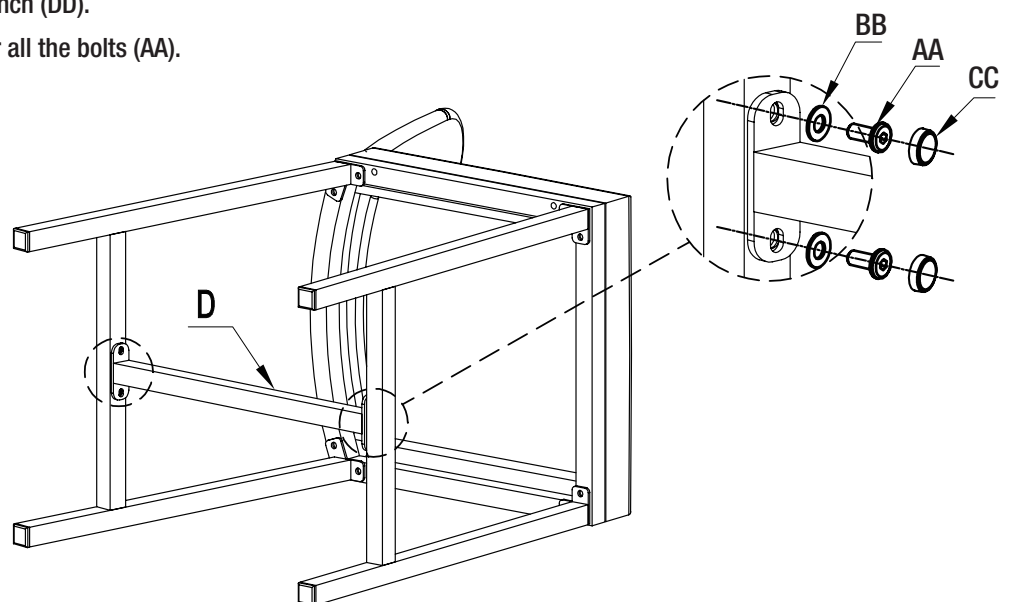
1 Attaching the Legs to the Chair Seat

- Connect the front leg and back leg (B & C) to the seat (A) with bolts (AA) and washers (BB).
- Do not fully tighten bolts.



2 Attaching the Legs to the Chair Back

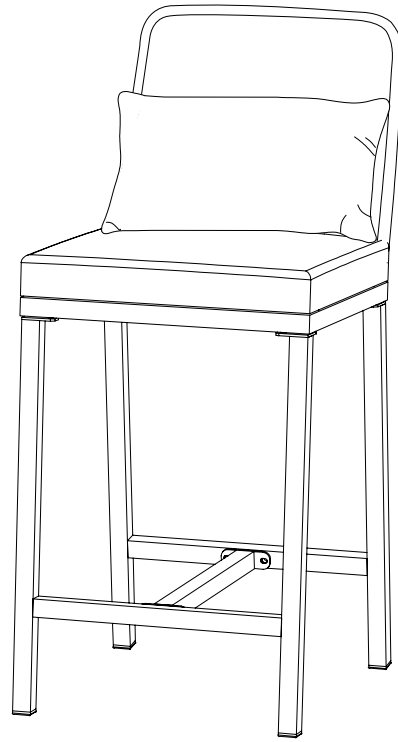
- Use the connecting bar (D) to connect the front leg and back leg (B&C) using bolts (AA) and washers (BB). Hand tighten all bolts with the hex wrench (DD).
- Attach the bolt caps (CC) to cover all the bolts (AA).



Chair Assembly

3 Completing the Chair Assembly

- Place the pillow on the chair.
- The chair now is ready for use.





Questions, problems, missing parts? Before returning to the store,
call Hampton Bay Customer Service
8 a.m. - 7 p.m., EST, Monday – Friday, 9 a.m. – 6 p.m., EST, Saturday

1-855-HD-HAMPTON

HOMEDEPOT.CA

Retain this manual for future use.

For certification use only
Factory chair ID # FRN-108540-C
Factory table ID # FRN-108540-T