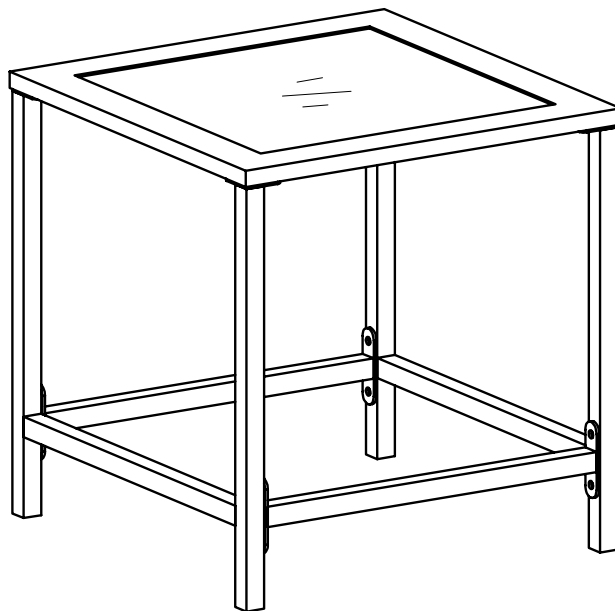




Item #135522
Model #FRN-108120

USE AND CARE GUIDE

KARI 3 PIECE SIDE TABLE



Questions, problems, missing parts? Before returning to the store,
call Hampton Bay Customer Service
8 a.m. - 7 p.m., EST, Monday – Friday, 9 a.m. – 6 p.m., EST, Saturday

01 800 004 6633

HOMEDEPOT.MX

IMPORTER: SERVICIOS HOME DEPOT, S. DE R.L. DE C.V.
Ricardo Margain 605 Santa Engracia, San Pedro
Garza García, Nuevo León, México C.P. 66267
Tel. 01 800 004 6633

THANK YOU

We appreciate the trust and confidence you have placed in Hampton Bay through the purchase of this bistro set. We strive to continually create quality products designed to enhance your home. Visit us online to see our full line of products available for your home improvement needs. Thank you for choosing Hampton Bay!

Table of Contents

Safety Information 2
Warranty 2
Care and Cleaning 2
Pre-Assembly 3
 Planning Assembly. 3
 Package Contents 3
Assembly. 4-5


Important Safety Instructions


READ ALL INSTRUCTIONS BEFORE USE

To reduce the risk of injury to persons:

1. Close supervision is necessary when this furnishing is used by or near children, or disabled persons, if applicable.
2. Use this furnishing only for its intended use as described in these instructions. Do not use attachments not recommended by the manufacturer.

 **DANGER:** Keep children out of the assembly area during assembly.

 **CAUTION:** Do not use sharp equipment such as a knife and scissors when removing the protective material, as it may damage the product.

 **WARNING:** Do not sit or stand on the table.

Warranty

TWO YEAR LIMITED WARRANTY

WHAT IS COVERED

The frame is warranted to be free of manufacturing defects for two years from the purchase date. If the frame of your furniture fails (ie. broken frame or weld) within two years of ownership, Hampton Bay will repair, provide replacement parts, or replace the product at our option. Frame finishes are warranted against blistering, cracking, or peeling for two years from purchase date. This is a residential use warranty only. Warranty is void when product is used for commercial settings. This warranty is a limited warranty and applies to the original purchase only. Proof of purchase is required.

Contact the Customer Service Team at 01 800 004 6633 or visit HOMEDEPOT.MX.

Warranty printed in the manual is not valid for Mexico.

Care and Cleaning

- Use mild soap and warm water to clean the table.
- Rinse with clean water and dry thoroughly.
- Any rust spots should be lightly sanded and treated with rust inhibitor, followed by an application of touch-up paint (not included).

Pre-Assembly

PLANNING ASSEMBLY

Before beginning the assembly of this product, make sure all parts are present. Compare parts with Package Contents and Hardware Included lists. If any part is missing or damaged, do not attempt to assemble the product, and return it to the place of purchase.

PACKAGE CONTENTS

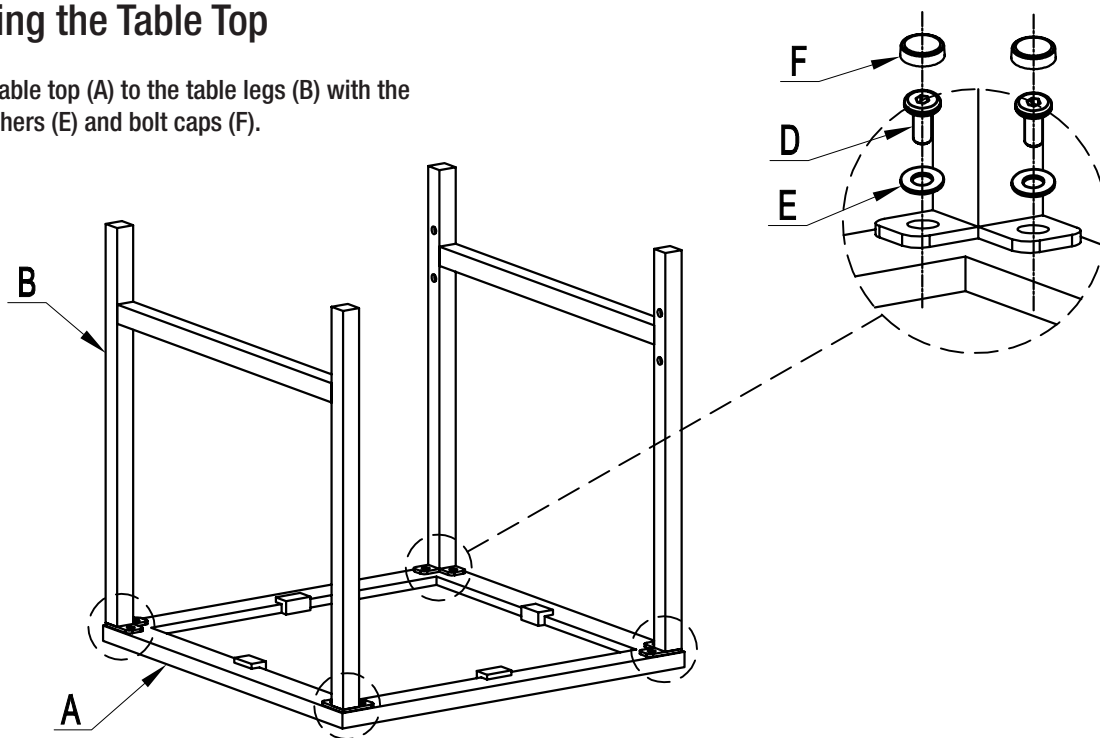


| Part | Description | Quantity |
|------|-------------------|----------|
| A | Table Top | 1 |
| B | Table Leg | 2 |
| C | Connecting Bar | 2 |
| D | Bolt (M6x15mm) | 16 |
| E | Flat Washer (M) | 16 |
| F | Bolt Cap | 16 |
| G | Allen Wrench (M6) | 1 |

Assembly

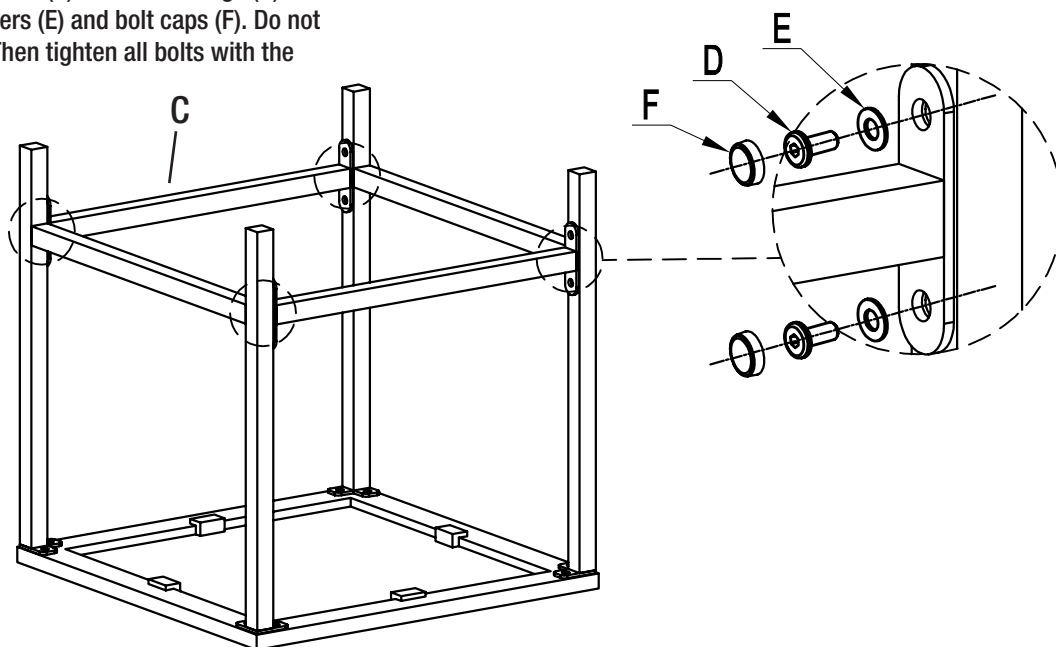
1 Connecting the Table Top

- Connect the table top (A) to the table legs (B) with the bolts (D), washers (E) and bolt caps (F).



2 Connecting the Table Legs

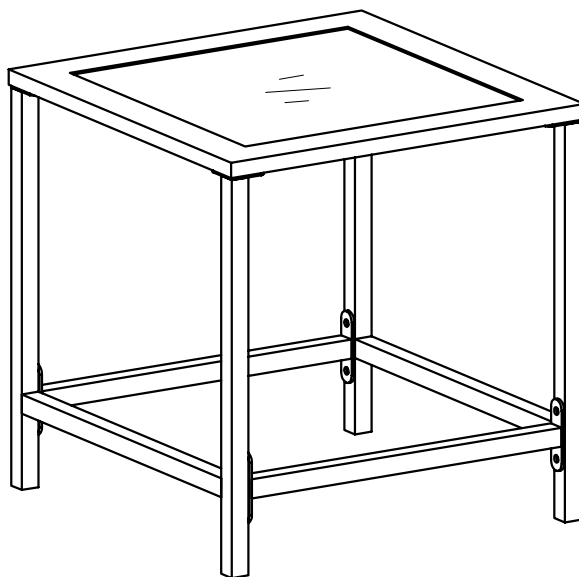
- Connect the connecting bar (C) to the table legs (B) with the bolts (D), washers (E) and bolt caps (F). Do not over-tighten the bolts. Then tighten all bolts with the allen wrench (G).



Assembly (continued)

3 Completing the Assembly

- Place the table in an upright position to complete the assembly.





Questions, problems, missing parts? Before returning to the store,
call Hampton Bay Customer Service
8 a.m. - 7 p.m., EST, Monday-Friday, 9 a.m. - 6 p.m., EST, Saturday

01 800 004 6633

HOMEDEPOT.MX

Retain this manual for future use.

| |
|----------------------------|
| For certification use only |
|----------------------------|

| |
|---------------------------------|
| Factory table ID # FRN-108120-T |
|---------------------------------|