

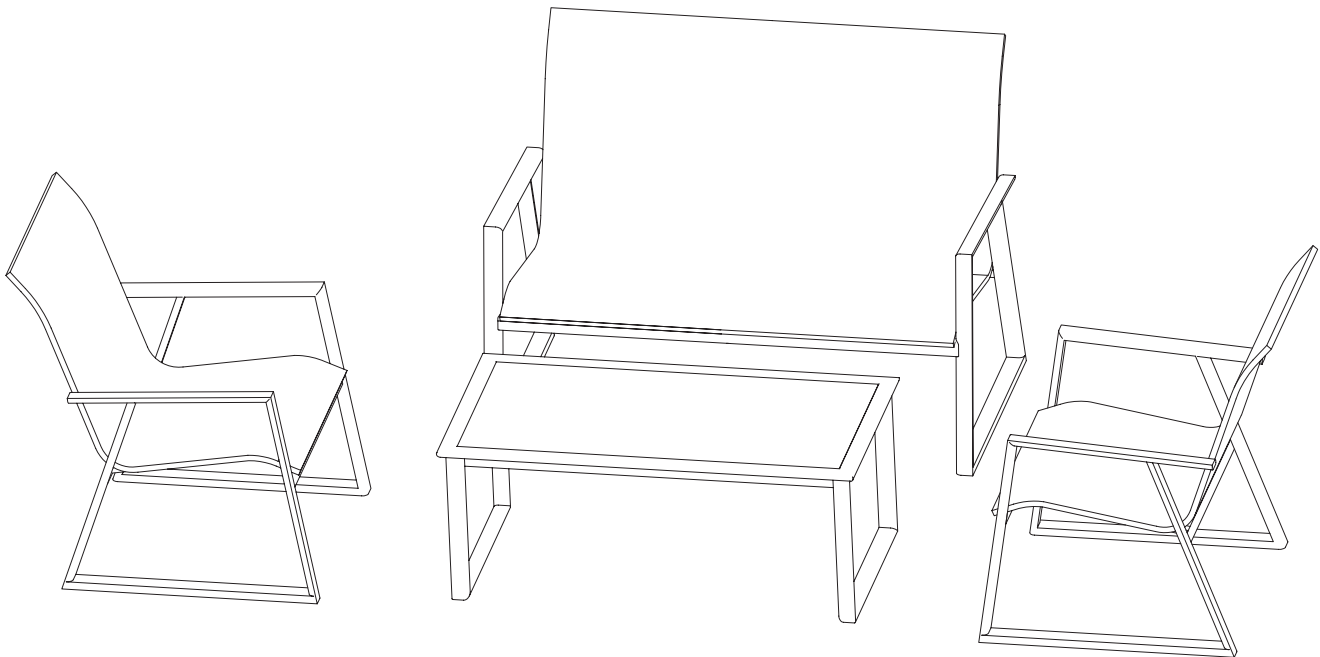


Item #1001188471  
Model #FRN-107990

## USE AND CARE GUIDE

---

### 4 PIECE WICKER CHAT SET



Questions, problems, missing parts?  
Before returning to the store, call Hampton Bay Customer Service  
8 a.m. - 7 p.m., EST, Monday – Friday, 9 a.m. – 6 p.m., EST, Saturday

**1-855-HD-HAMPTON**

**HOMEDEPOT.CA**

---

#### **THANK YOU**

*We appreciate the trust and confidence you have placed in Hampton Bay through the purchase of this chat set. We strive to continually create quality products designed to enhance your home. Visit us online to see our full line of products available for your home improvement needs. Thank you for choosing Hampton Bay!*

# Table of Contents





Safety Information .....	2	Table Assembly .....	6
Warranty .....	2	Hardware Included .....	6
Care and Cleaning .....	2	Package Contents .....	6
Chair Assembly .....	3	Assembly .....	7-8
Hardware Included .....	3	Loveseat Assembly .....	9
Package Contents .....	3	Hardware Included .....	9
Assembly .....	4-5	Package Contents .....	9
		Assembly .....	10-11

# Important Safety Instructions

## READ ALL INSTRUCTIONS BEFORE USE

To reduce the risk of injury to persons:

1. Close supervision is necessary when this furnishing is used by or near children, or disabled persons, if applicable.
2. Use this furnishing only for its intended use as described in these instructions. Do not use attachments not recommended by the manufacturer.

	<b>DANGER:</b> Keep children out of the assembly area during assembly.
	<b>WARNING:</b> Do not stand on the table, chairs, or loveseat.
	<b>CAUTION:</b> Do not use sharp equipment such as a knife and scissors when removing the protective material, as it may damage the product.
	<b>WARNING:</b> Do not sit on table.

# Warranty

## 2 YEAR LIMITED WARRANTY

### WHAT IS COVERED

The frame is warranted to be free of manufacturing defects for two years from the purchase date. If the frame of your furniture fails (ie. broken frame or weld) within two years of ownership, Hampton Bay will repair, provide replacement parts, or replace the product at our option. Frame finishes are warranted against blistering, cracking, or peeling for two years from purchase date. This is a residential use warranty only. Warranty is void when product is used for commercial settings. This warranty is a limited warranty and applies to the original purchase only. Proof of purchase is required.

Contact the Customer Service Team at 1-855-HD-HAMPTON or visit [HOMEDEPOT.CA](http://HOMEDEPOT.CA).

# Care and Cleaning

- Use mild soap and warm water to clean the table, chairs, and loveseat.
- Rinse with clean water and dry thoroughly.
- Any rust spots should be lightly sanded and treated with rust inhibitor, followed by an application of touch-up paint (not included).

# Table Assembly

## PLANNING ASSEMBLY

Before beginning the assembly of this product, make sure all parts are present. Compare parts with Package Contents and Hardware Included lists. If any part is missing or damaged, do not attempt to assemble the product, and return it to the place of purchase.

## HARDWARE INCLUDED



NOTE: Hardware not shown to actual size.

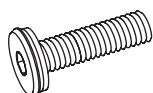
AA



BB



CC



DD



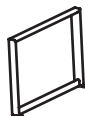
Part	Description	Quantity
AA	Bolt Cap	16
BB	Washer	16
CC	Bolt (M6x15)	16
DD	Hex Wrench	1

## PACKAGE CONTENTS

A



B



C



D

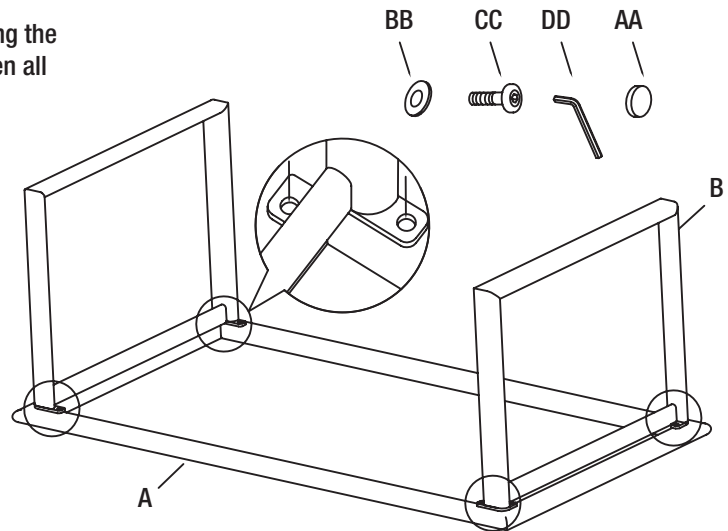


Part	Description	Quantity
A	Table Rim	1
B	Table Legs	2
C	Glass	1
D	Table Support Tube	2

# Table Assembly

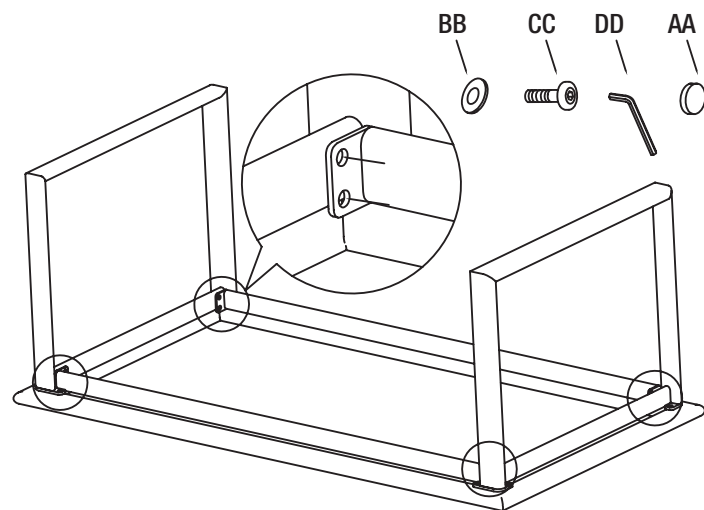
## 1 Attaching the Legs to the Table Rim

- Place all parts on a flat, clean surface.
- Attach the table legs (B) onto the table rim (A) by using the hex wrench (DD), bolts (CC), and washers (BB). Tighten all bolts (BB) with the hex wrench (DD).
- Do not fully tighten bolts.



## 2 Attaching the Table Support to the Table Legs

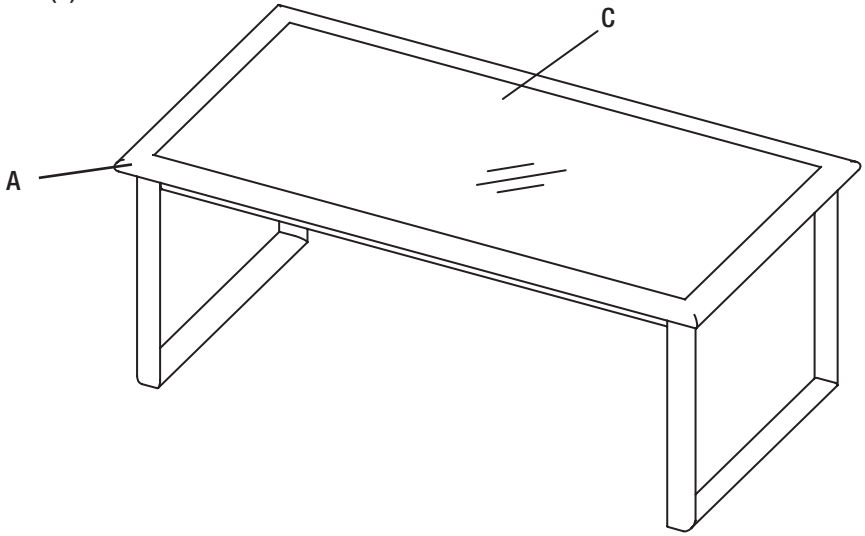
- Attach the table support tube (D) to the table legs (B) by using the hex wrench (DD), bolts (CC) and washers (BB).
- Once all of the legs are attached and level, fully tighten all bolts (CC) with the hex wrench (DD).
- Attach the bolt caps (AA) to cover all bolts (CC).



## Table Assembly

### 3 Completing the Assembly

- Turn the table over and place on a flat surface.
- Place the glass (C) carefully onto the table rim (A).
- The table now is ready for use.



# Chair Assembly

## PLANNING ASSEMBLY

Before beginning the assembly of this product, make sure all parts are present. Compare parts with Package Contents and Hardware Included lists. If any part is missing or damaged, do not attempt to assemble the product, and return it to the place of purchase.

## HARDWARE INCLUDED



NOTE: Hardware not shown to actual size.

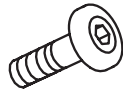
AA



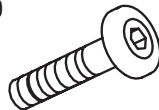
BB



CC



DD



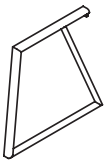
EE



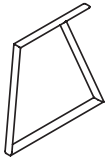
Part	Description	Quantity
AA	Bolt Cap	10
BB	Washer	10
CC	Bolt (M6x15)	8
DD	Bolt (M6x30)	2
EE	Hex Wrench	1

## PACKAGE CONTENTS

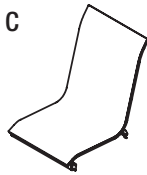
A



B



C

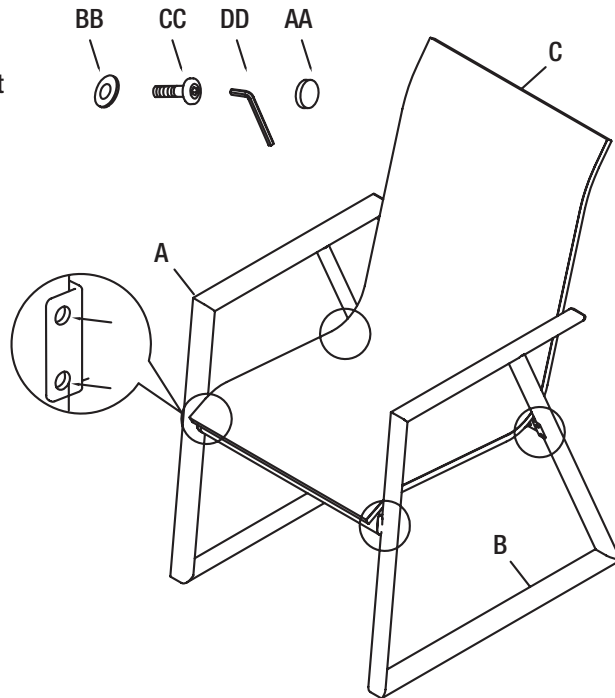


Part	Description	Quantity
A	Right Leg	1
B	Left Leg	1
C	Chair Seat and Back	1

# Chair Assembly

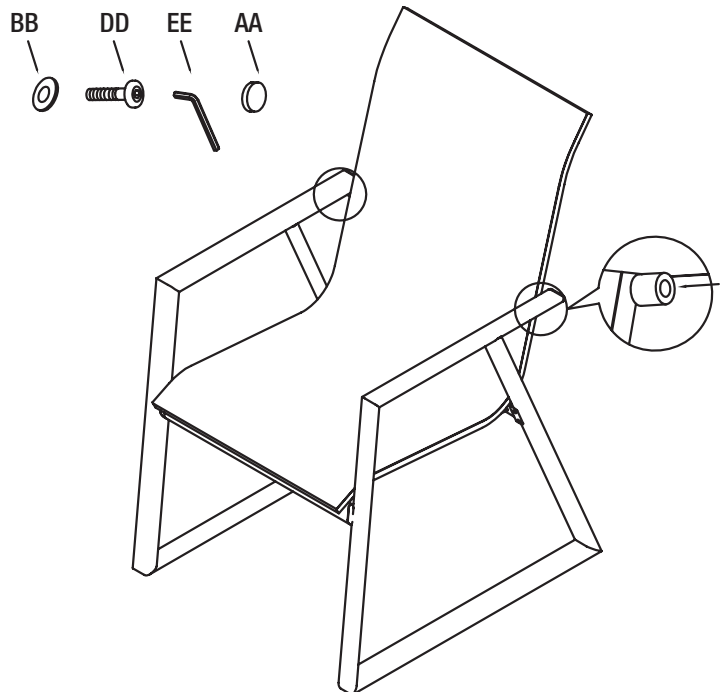
## 1 Attaching the Legs to the Chair Seat

- Place all parts on a flat, clean surface.
- Attach the right leg (A) and the left leg (B) to the chair seat (C) by using the hex wrench (EE), bolts (CC), and washers (BB).
- Do not fully tighten bolts.



## 2 Attaching the Legs to the Chair Back

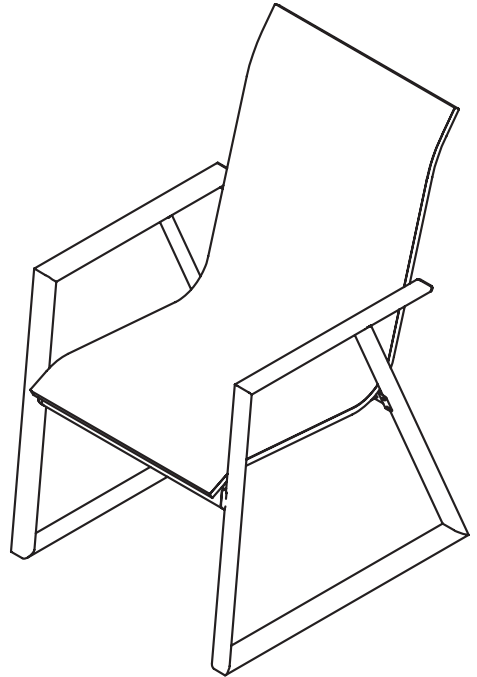
- Attach the right leg (A) and the left leg (B) to the chair back (C) by using the hex wrench (EE), bolts (DD), and washers (BB).
- Once all of the legs are attached and level, fully tighten all bolts (CC, DD) with the hex wrench (EE).
- Attach the bolt caps (AA) to cover all bolts (CC, DD).



## Chair Assembly

### 3 Completing the Chair Assembly

- Place the chair on a flat surface.
- The chair now is ready for use.





# Loveseat Assembly

## PLANNING ASSEMBLY

Before beginning the assembly of this product, make sure all parts are present. Compare parts with Package Contents and Hardware Included lists. If any part is missing or damaged, do not attempt to assemble the product, and return it to the place of purchase.

## HARDWARE INCLUDED



NOTE: Hardware not shown to actual size.

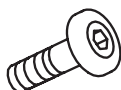
AA



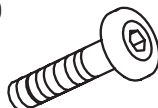
BB



CC



DD



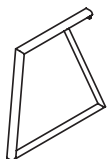
EE



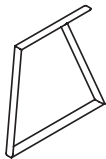
Part	Description	Quantity
AA	Bolt Cap	10
BB	Washer	10
CC	Bolt (M6x15)	8
DD	Bolt (M6x30)	2
EE	Hex Wrench	1

## PACKAGE CONTENTS

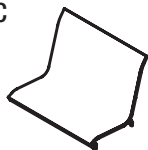
A



B



C

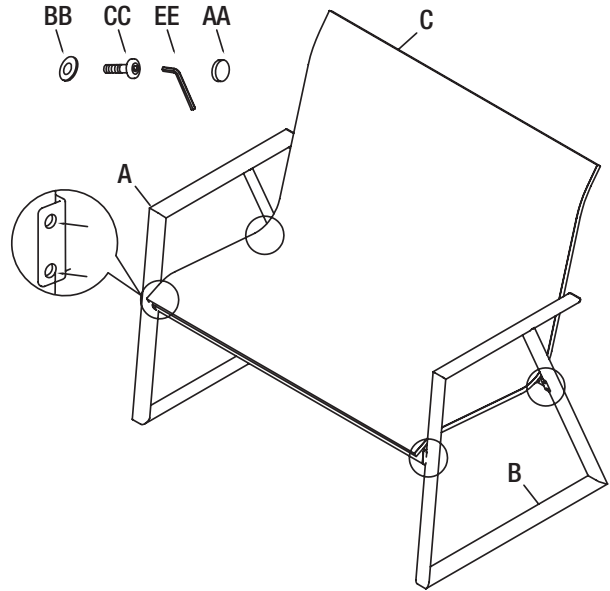


Part	Description	Quantity
A	Right Leg	1
B	Left Leg	1
C	Loveseat Seat and Back	1

# Loveseat Assembly

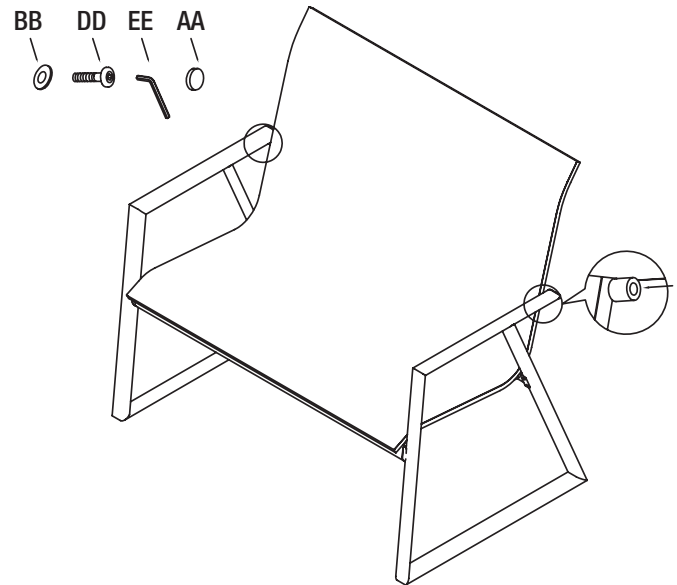
## 1 Attaching the Legs to the Loveseat Seat

- Place all parts on a flat, clean surface.
- Attach the right leg (A) and the left leg (B) to the loveseat seat (C) using the hex wrench (EE), bolts (CC), and washers (BB).
- Do not fully tighten the bolts.



## 2 Attaching the Legs to the Loveseat Back

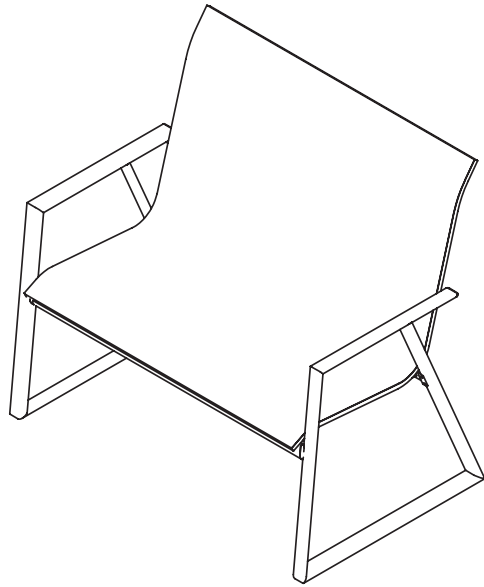
- Attach the right leg (A) and the left leg (B) to the loveseat back (C) using the hex wrench (EE), bolts (DD), and washers (BB).
- Once all of the legs are attached and level, fully tighten all bolts (CC, DD) with the hex wrench (EE).
- Attach the bolt caps (AA) to cover all bolts (CC, DD).



## Loveseat Assembly

### 3 Completing the Loveseat Assembly

- Place all parts on a flat, clean surface.
- The loveseat is now ready for use.





Questions, problems, missing parts? Before returning to the store,  
call Hampton Bay Customer Service  
8 a.m. - 7 p.m., EST, Monday – Friday, 9 a.m. – 6 p.m., EST, Saturday

**1-855-HD-HAMPTON**

**HOMEDEPOT.CA**

Retain this manual for future use.

For certification use only

Factory chair ID # FRN-107990-C  
Factory loveseat ID # FRN-107990-L  
Factory table ID # FRN-107990-T