



3 PC Bistro Set Assembly & Care Instructions

Item: FRN-106430



**IMPORTANT : RETAIN FOR FUTURE REFERENCE
READ CAREFULLY**

For assistance with assembly, parts, or customer service, please contact:

ATLeisure, LLC

Toll Free: 1-855-880-7205 (English is offered)

8am - 5pm, Monday through Friday, Eastern Standard Time

Email: customerservice@atleisure.com or visit our website at www.atleisure.com

DO NOT RETURN TO STORE

For indoor/outdoor domestic use only. Not for commercial use.

Designed in USA
Made in China

Contents










Package Contents 2
 Assembly and Use. 3-4
 Care and Maintenance. 5
 Warnings and Cautions 5
 Warranty 5

Package Contents

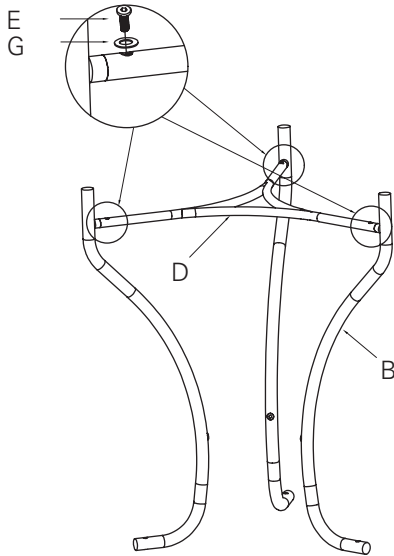
Before assembling make sure all parts are present. If any part is missing or damaged, do not attempt to assemble the product.



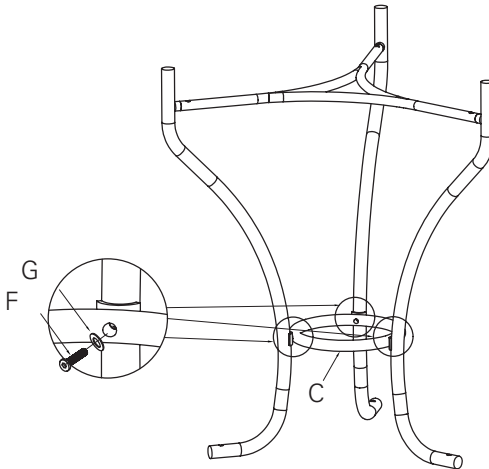
CAUTION: Do not use sharp tools or equipment such as a knife or scissors when removing the protective material, as it may damage the product.

Item	Letter/No.	Sticker Color	Quantity
Table Top 	A	Red	1
Leg 	B	Green	3
Upper Leg Brace 	C	Blue	1
Bottom Leg Brace 	D	Black	1
Short Bolt 	(E) Short Bolt	Purple	1 Hardware Package Includes: 3 Short Bolts (10mm) 6 Long Bolts (35mm) 9 Washers 9 Plastic Caps 1 Hex Key
Long Bolt 	(F) Long Bolt		
Washer 	(G) Washer		
Plastic Cap 	(H) Plastic Cap		
Hex Key 	(I) Hex Key		

Assembly and Use

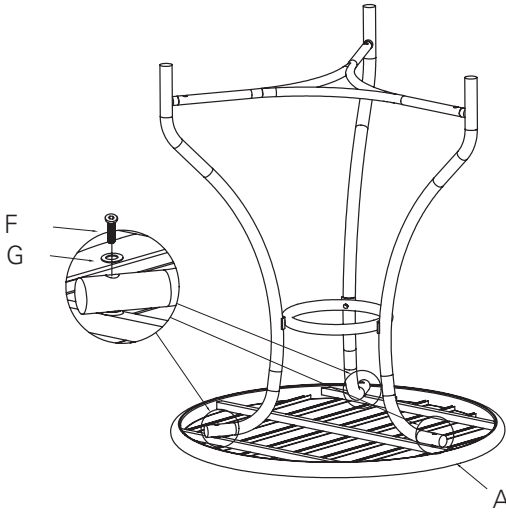


Step 1: Align the Bottom Leg Brace (D) holes with the corresponding chair Leg (B) holes. Place Washers (G) over the holes and insert the Short Bolts (E) to attach the frame to the chair Legs (B). Use the Hex Key (I) to tighten the bolts, being careful not to over tighten.

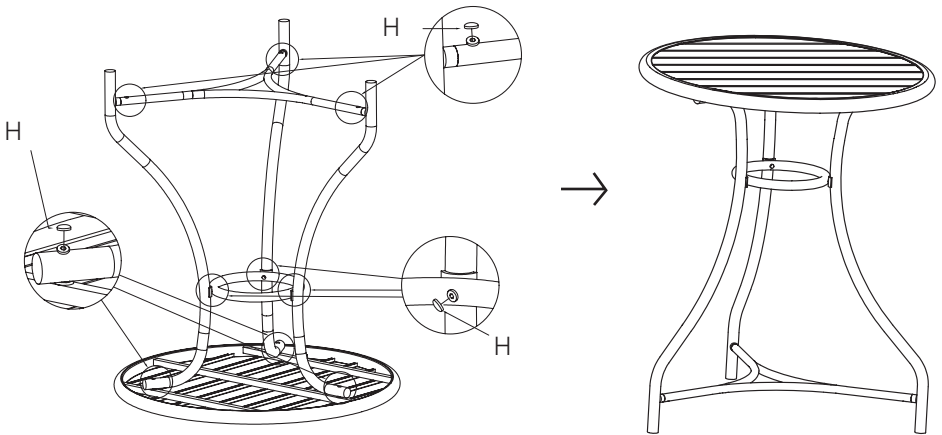


Step 2: Align the Upper Leg Brace (C) holes with the corresponding chair Leg (B) holes. Place Washers (G) over the holes and insert the Long Bolts (F) to attach the frame to the chair Legs (B). Use the Hex Key (I) to the tighten bolts, being careful not to over tighten.

Assembly and Use (cont'd)



Step 3: Place the Table Top (A) upside down on a soft, flat surface. Align the table Leg frame holes with the corresponding Table Top holes. Place the Washers (G) over the Table Top holes and insert Long Bolts (F). Use the Hex Key (I) to tighten bolts, being careful not to over tighten.



Step 4: Cover the bolts with Plastic Caps (H). Turn the table over and place on a flat surface. The table is now ready for use.

Care and Maintenance

- Use mild soap and warm water to clean. Rinse with clean water and dry thoroughly.
- Be sure to drain any water accumulated inside the frames. To thoroughly drain, remove leveling foot and tilt frames to remove all water. Water allowed to accumulate inside the frames and then exposed to sub-freezing temperatures can cause damage to frame tubing. Such damage is not covered under warranty.

Warnings and Cautions



DANGER: Keep children out of the assembly area during assembly.



IMPORTANT: Please check tightness of bolts at least every 180 days.



CAUTION: Use chair and table on flat surface only.



WARNING: Do not stand on chair



WARNING: Do not sit or stand on table



Warranty

90 DAY WARRANTY

This product is covered under a manufacturer's 90 day warranty from date of purchase against defects in materials and workmanship. This warranty does not cover damage due to neglect, abuse or weather related damage. For full warranty disclosure, email us at customerservice@atleisure.com, call toll free at 1-855-880-7205 or send mail to: 1040 Boulevard SE Ste. B, Atlanta GA 30312

NOT COVERED UNDER WARRANTY

This Warranty excludes the following: general frame rusting; glass breakage; acts of nature (i.e. wind, fire, or freeze); damage caused by improper assembly, caused by improper assembly, accident, disaster, misuse, abuse, negligence and commercial use; discoloration or fading of the finish or fabric as a result of exposure to the elements.

HOW TO FILE A CLAIM

If you are within your warranty you must have your receipt and pictures of your information to send to ATLeisure at customerservice@atleisure.com, or send by mail to 1040 Boulevard SE Ste. B, Atlanta GA 30312. This warranty gives you specific legal rights, and you may also have other rights which vary from state to state.



ATLeisure, LLC
1040 Boulevard SE, Suite B
Atlanta, Georgia 30312, USA

Customer Service Toll Free 1-855-880-7205

8am - 5pm Eastern Time, Monday through Friday

www.atleisure.com