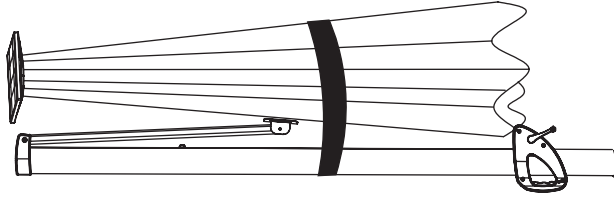
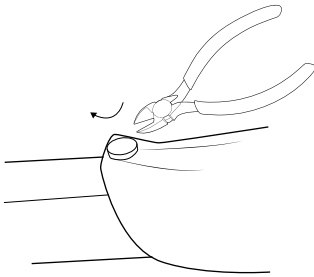


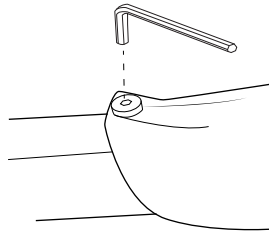
**To Remove Canopy**



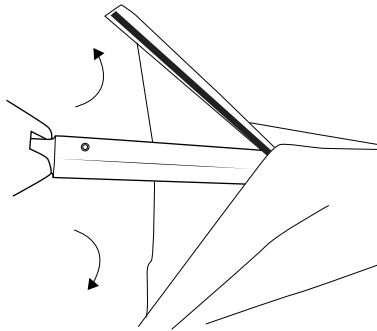
**Step 1:** Place the umbrella frame with canopy on a soft, clean surface to prevent damage during the replacement process.



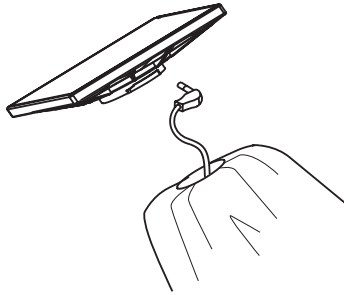
**Step 2:** Take the cap off of the long arm.



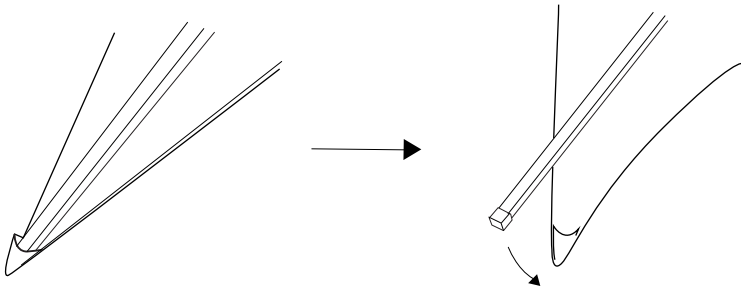
**Step 3:** Remove the bolt with the hex key.



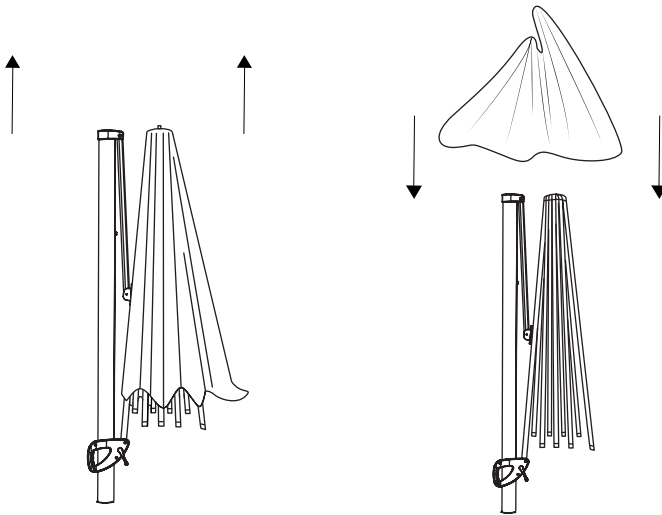
**Step 4:** Pull apart the velcro on the under side of the canopy.



**Step 5:** Remove the solar panel.

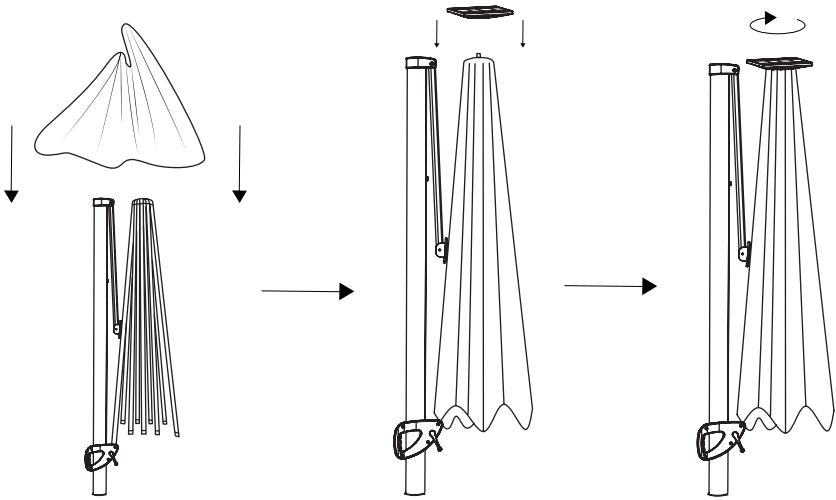


**Step 6:** Remove all of the ribs from the canopy pockets.

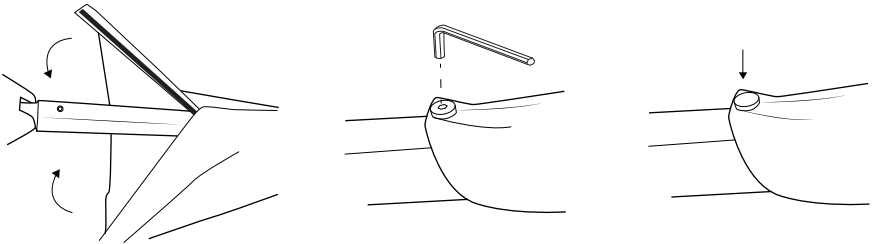


**Step 7:** Lift the canopy off of the frame, being careful not to catch the fabric on any part.

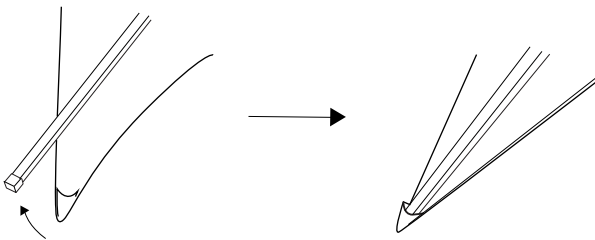
## To Replace Canopy



**Step 1:** Put the canopy onto the frame as shown above, making sure that the canopy hole is placed correctly over the rib holder. Screw on the solar panel.



**Step 2:** Fasten velcro back together on the long arm and then screw in the bolt with the hex key. Place the cap back onto the bolt.



**Step 3:** Put the rib into the pockets on the canopy to complete reassembly.



ATLeisure, LLC  
1040 Boulevard SE, Suite B  
Atlanta, Georgia 30312, USA

**Customer Service Toll Free 1-855-880-7205**

8am - 5pm Eastern Time, Monday through Friday

**[www.atleisure.com](http://www.atleisure.com)**