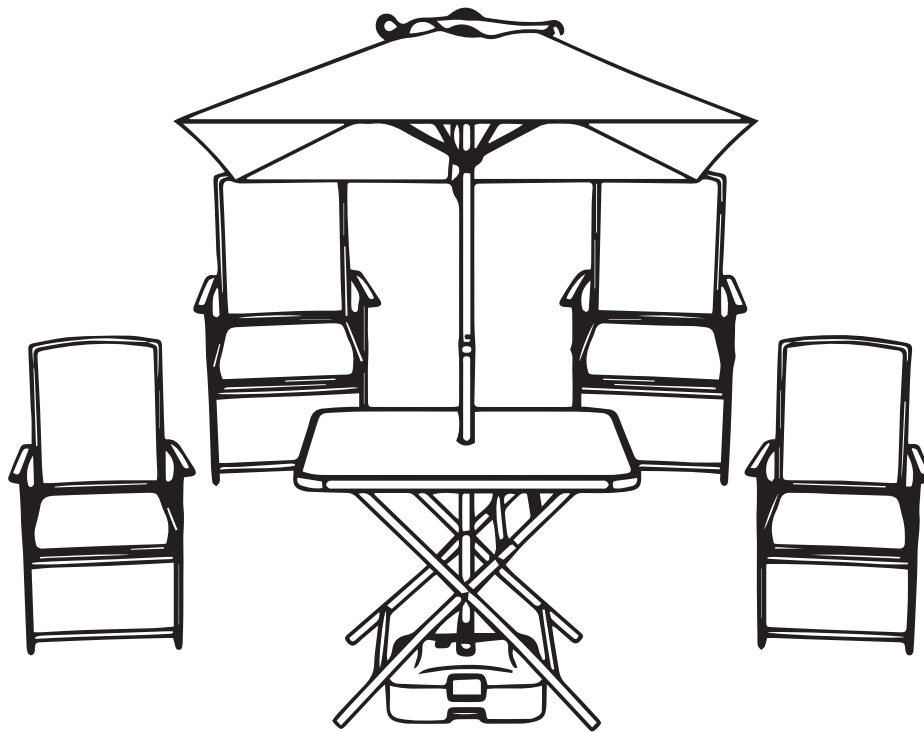




Item #135519
Model #FRN-952550

USE AND CARE GUIDE

7 PIECE PADDED SLING DINING SET



Questions, problems, missing parts? Before returning to the store,
call Hampton Bay Customer Service
8 a.m. - 7 p.m., EST, Monday – Friday, 9 a.m. – 6 p.m., EST, Saturday

01 800 004 6633

HOMEDEPOT.MX

IMPORTER: SERVICIOS HOME DEPOT, S. DE R.L. DE C.V.
Ricardo Margain 605 Santa Engracia, San Pedro
Garza García, Nuevo León, México C.P. 66267
Tel. 01 800 004 6633

THANK YOU

We appreciate the trust and confidence you have placed in Hampton Bay through the purchase of this bistro set. We strive to continually create quality products designed to enhance your home. Visit us online to see our full line of products available for your home improvement needs. Thank you for choosing Hampton Bay!

Table of Contents





Safety Information 2
Warranty 2
Care and Cleaning 2
Pre-Assembly 3
 Planning Assembly. 3
 Package Contents 3
Table Operation..... 4
Chair Operation..... 5
Table Operation..... 6
Umbrella Assembly..... 7-8

Safety Information

READ ALL INSTRUCTIONS BEFORE USE

To reduce the risk of injury to persons:

1. Close supervision is necessary when this furnishing is used by or near children, or disabled persons, if applicable.
2. Use this furnishing only for its intended use as described in these instructions. Do not use attachments not recommended by the manufacturer.
3. This table is not intended to support an umbrella. Umbrellas must have a suitable base or stand.

	DANGER: Keep children out of the assembly area during assembly.
	CAUTION: Do not use sharp equipment such as a knife and scissors when removing the protective material, as it may damage the product.
	WARNING: Do not sit or stand on the table.
	WARNING: Do not stand on chair.

Warranty

TWO YEAR LIMITED WARRANTY

WHAT IS COVERED

The frame is warranted to be free of manufacturing defects for two years from the purchase date. If the frame of your furniture fails (ie. broken frame or weld) within two years of ownership, Hampton Bay will repair, provide replacement parts, or replace the product at our option. Frame finishes are warranted against blistering, cracking, or peeling for two years from purchase date. This is a residential use warranty only. Warranty is void when product is used for commercial settings. This warranty is a limited warranty and applies to the original purchase only. Proof of purchase is required.

Contact the Customer Service Team at 01 800 004 6633 or visit HOMEDEPOT.MX.

Warranty printed in the manual is not valid for Mexico.

Care and Cleaning

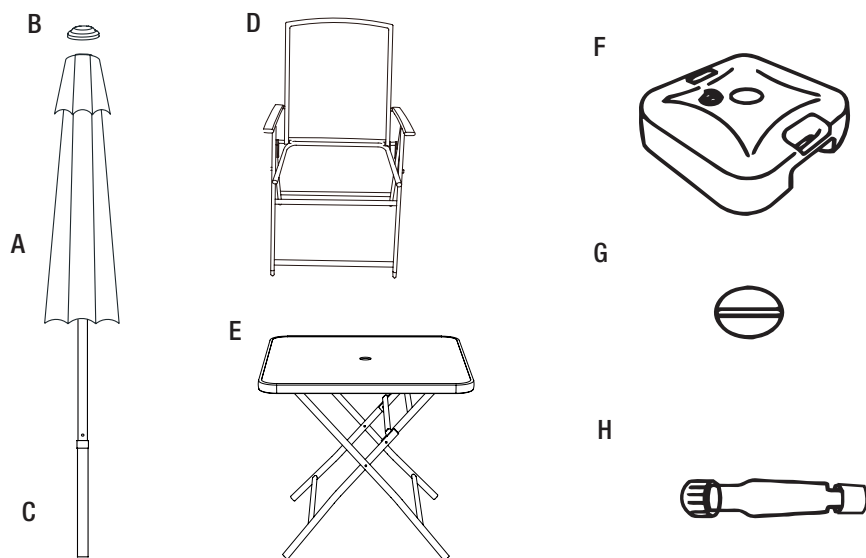
- Use mild soap and warm water to clean the table.
- Rinse with clean water and dry thoroughly.
- Any rust spots should be lightly sanded and treated with rust inhibitor, followed by an application of touch-up paint (not included).
- Use mild soap and warm water to clean canopy. Rinse with water and dry thoroughly. Do not machine wash. Do not iron. Air dry the canopy thoroughly before storing for extended periods of time. Make sure the canopy is completely open during drying process to prevent shrinkage.
- If crank becomes too hard to turn, check to see if rope has slipped off pulley. If you continue to crank, the rope or crank handle may break. If parts have broken, call customer service, toll free.
- Placement of umbrella over or near a swimming pool will cause premature fading not covered under our warranty.

Pre-Assembly

PLANNING ASSEMBLY

Before beginning the assembly of this product, make sure all parts are present. Compare parts with Package Contents and Hardware Included lists. If any part is missing or damaged, do not attempt to assemble the product, and return it to the place of purchase.

PACKAGE CONTENTS

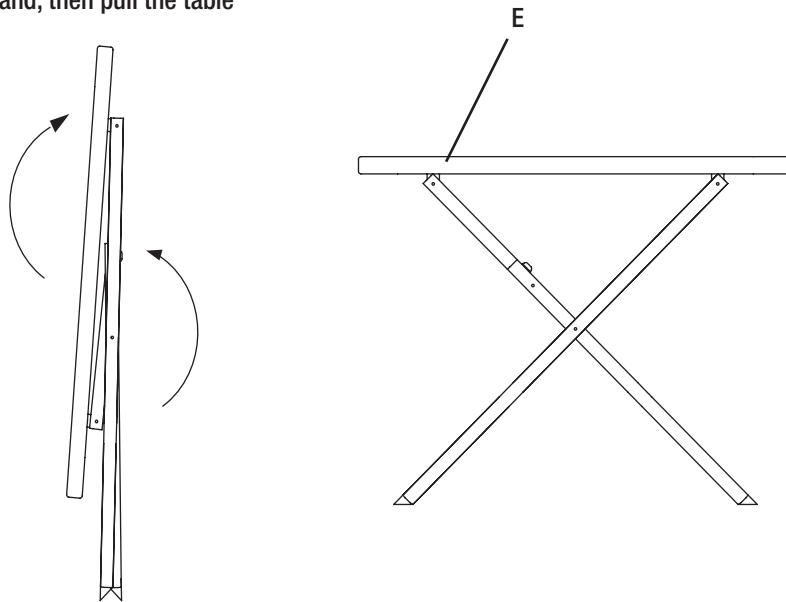


Part	Description	Quantity
A	Umbrella Frame with Canopy	1
B	Finial	1
C	Bottom Umbrella Pole	1
D	Folding Chair	4
E	Folding Table	1
F	Umbrella Base	1
G	Umbrella Base Cap	1
H	Plastic Pole for Umbrella Base	1

Table Operation

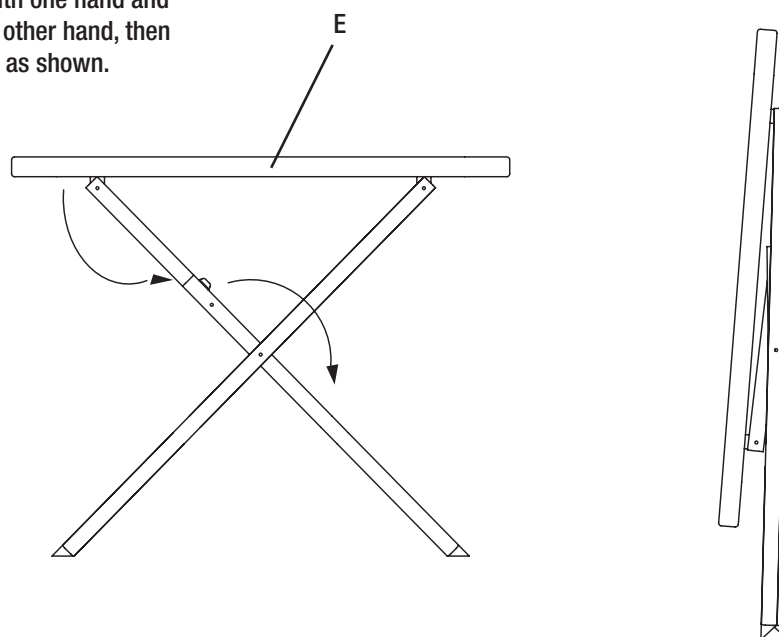
1 Opening the Table

- Grip the top of the table (E) with one hand and the opposite side with the other hand, then pull the table down, as shown.



2 Closing the Table

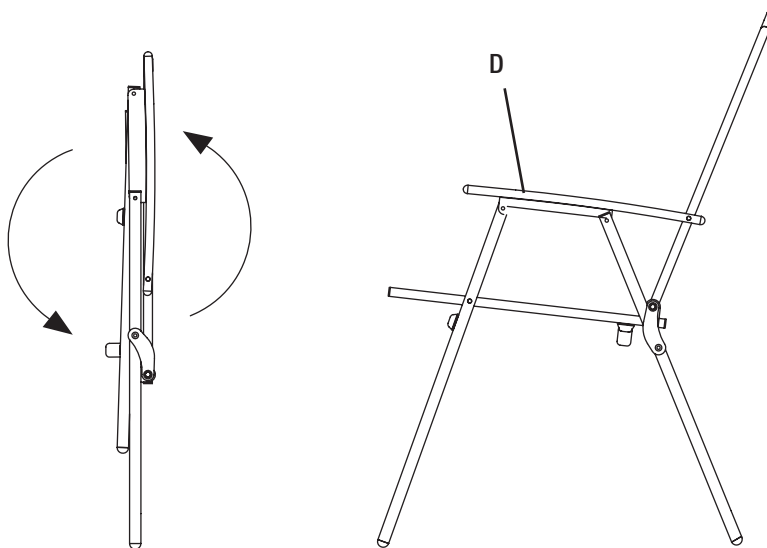
- Grip the one of the table (E) edge with one hand and the bottom connecting bar with the other hand, then pull the table into a closed position, as shown.



Chair Operation

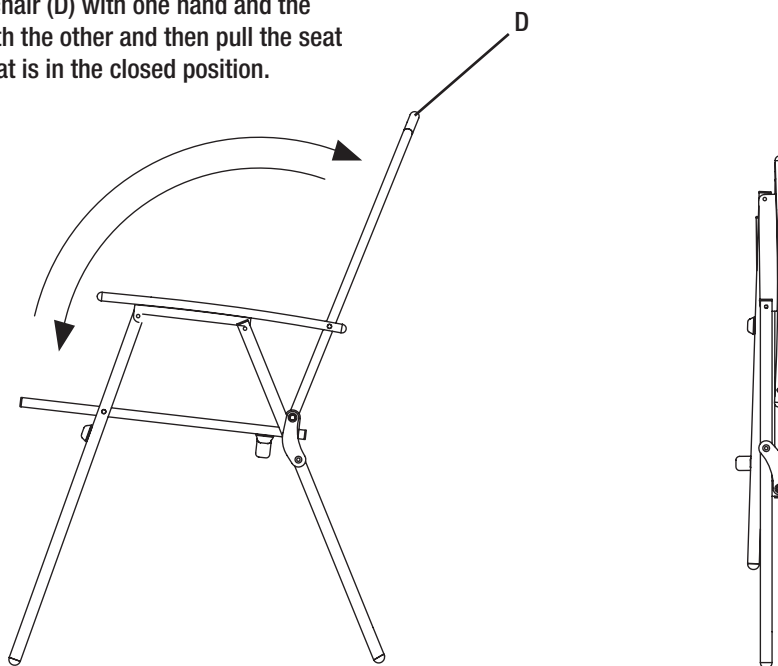
1 Opening the Chair

- Grip the top of the chair (D) with one hand and the edge of the seat with the other and then pull the seat down, as shown.



2 Closing the Chair

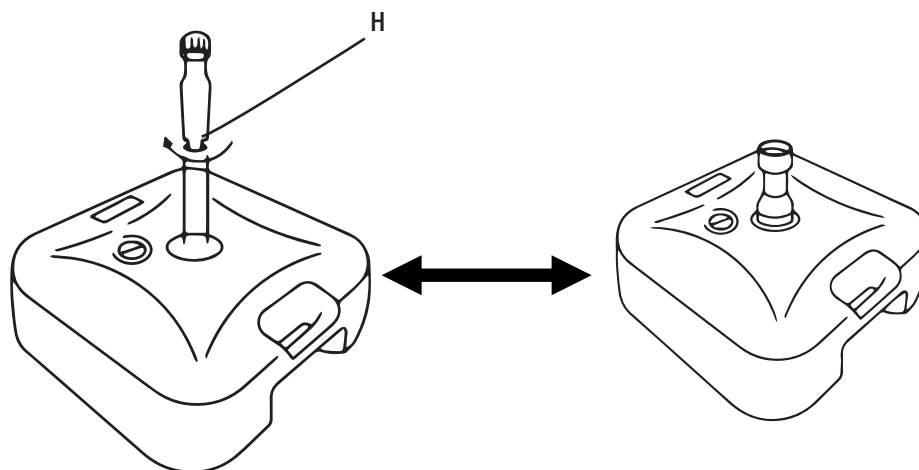
- Grip the top of the chair (D) with one hand and the edge of the seat with the other and then pull the seat upward until the seat is in the closed position.



Umbrella Base Assembly

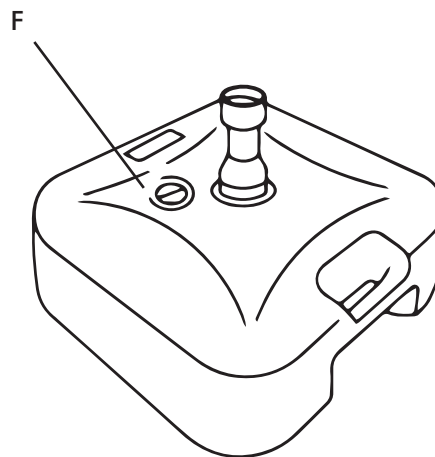
1 Inserting the Pole

- Insert the plastic pole (H) into the base hole and adjust it to the desired position.



2 Filling the Umbrella Base

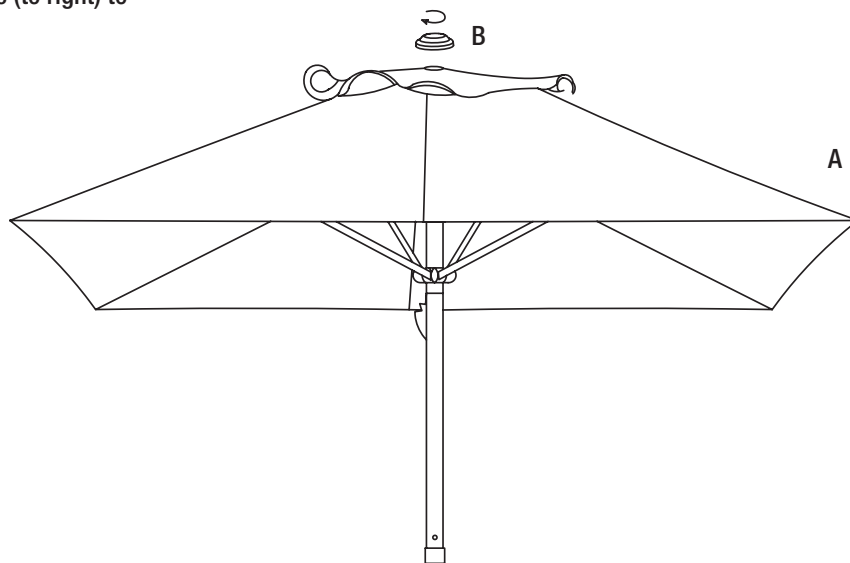
- Fill the umbrella base (F) with water or sand.



Umbrella Assembly

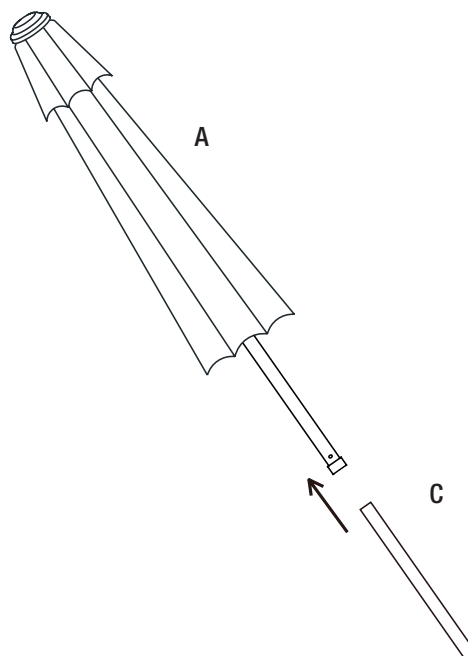
1 Attaching the Finial

- If not attached, align the finial (B) to threading on top of the umbrella frame (A) and turn clockwise (to right) to lock into place. Do not over-tighten.



2 Attaching the Bottom Pole

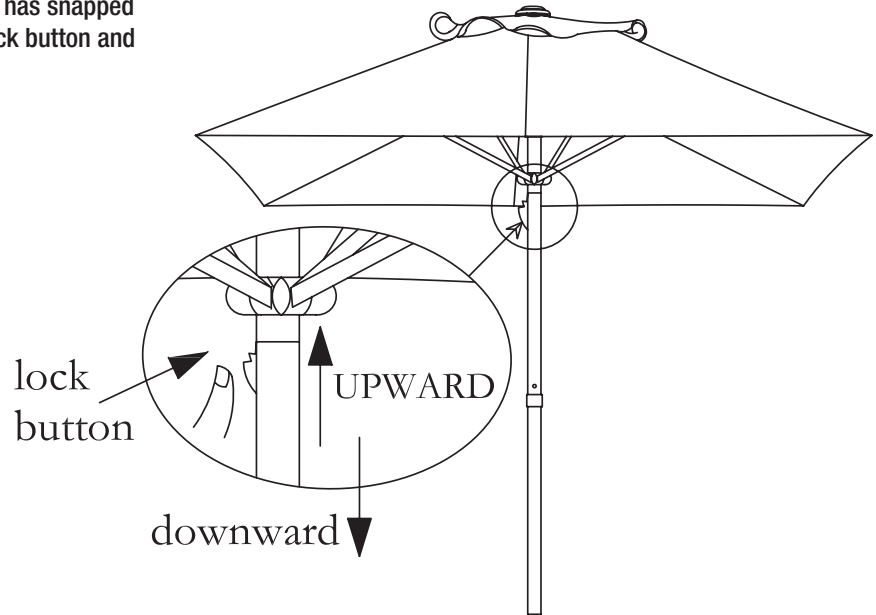
- Slide the bottom pole (C) onto the umbrella frame (A), while holding the snap button until the snap button locks into position.



Umbrella Assembly (continued)

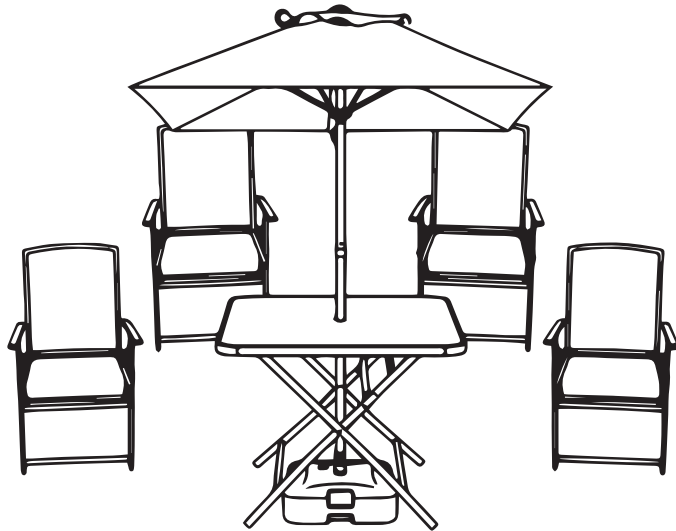
3 Opening the Canopy

- Hold the base of the canopy and push upwards until the canopy is fully opened and the lock has snapped into place. To close the canopy, push lock button and slide downwards until it is fully closed.



4 Completing the Assembly

- Insert the umbrella into the assembled umbrella base. Tighten the locking nut on the side of the base to safely secure the umbrella.





Questions, problems, missing parts? Before returning to the store,
call Hampton Bay Customer Service
8 a.m. - 7 p.m., EST, Monday-Friday, 9 a.m. - 6 p.m., EST, Saturday

01 800 004 6633

HOMEDEPOT.MX

Retain this manual for future use.