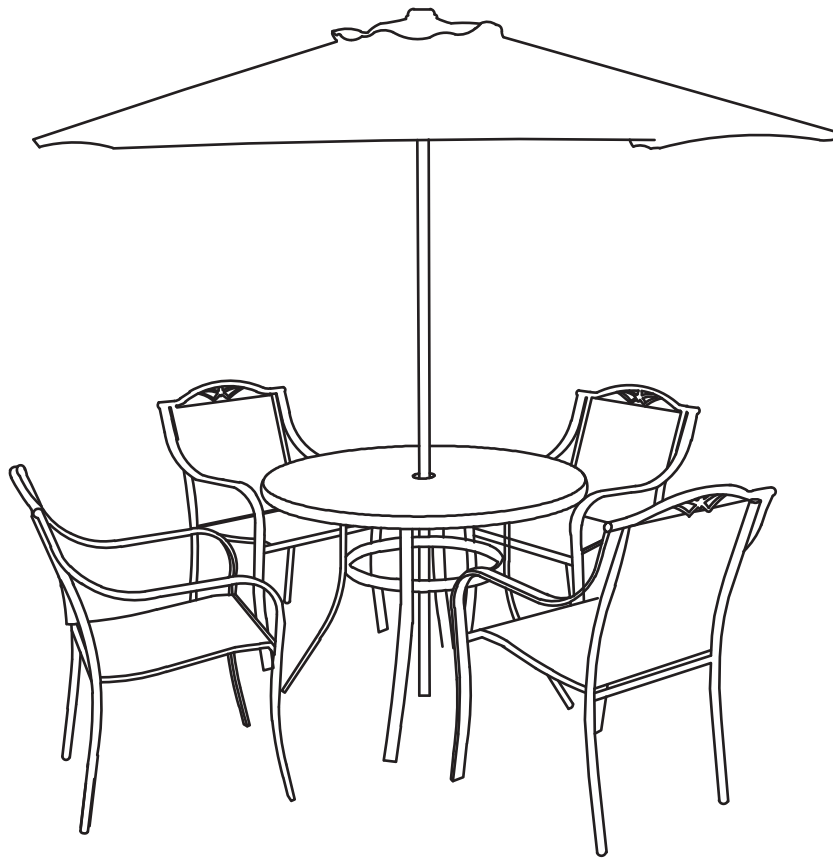


**Item #121923**  
**Model FRN-952560**

# **USE AND CARE GUIDE**

---

## **6-PIECE DINING STACK SET**



**Questions, problems, missing parts?**  
**Before returning to the store, call Customer Service**  
**8 a.m. - 7 p.m., EST, Monday – Friday, 9 a.m. – 6 p.m., EST, Saturday**

**01 800 004 6633**

**HOMEDEPOT.MX**

# Table of Contents

Safety Information ..... 2  
Pre-Installation ..... 3  
Hardware ..... 3  
Package Contents ..... 4  
Table Assembly ..... 5  
Umbrella Assembly ..... 6-7  
Maintenance and Care ..... 8  
Replacement Parts ..... 8

# Important Safety Instructions


## READ ALL INSTRUCTIONS BEFORE USE


To reduce the risk of injury to persons:

1. Close supervision is necessary when this furnishing is used by or near children, or disabled persons, if applicable.
2. Use this furnishing only for its intended use as described in these instructions. Do not use attachments not recommended by the manufacturer.
3. This table is not intended to support an umbrella. Umbrellas must have a suitable base or stand.

 **DANGER:** Keep children out of the assembly area during assembly.

 **WARNING:** Do not stand on the side table or chairs.

 **WARNING:** Do not use the umbrella during periods of high winds and rain as this may result in personal injury and/or damage.

 **CAUTION:** Use table and chairs on flat ground only.

**IMPORTANT:** If the crank becomes too hard to crank, check to see if the rope has come off the pulley. If you continue to turn the crank, the rope or crank handle could break.

**IMPORTANT:** Check the tightness of bolts at least every 90 days.

# Pre-Installation

## PLANNING INSTALLATION

Before beginning assembly of product, make sure all parts are present. Compare parts with package contents list and diagram above. If any part is missing or damaged, do not attempt to assemble the product or return to the place of purchase. Contact our customer service toll free at 01 800 004 6633 for replacement parts or further instructions.

Estimated Assembly Time: 30 minutes

Tools required for Assembly: No tools required

## HARDWARE INCLUDED



NOTE: Hardware not shown to actual size.

AA



EE



BB



FF



CC



GG



DD

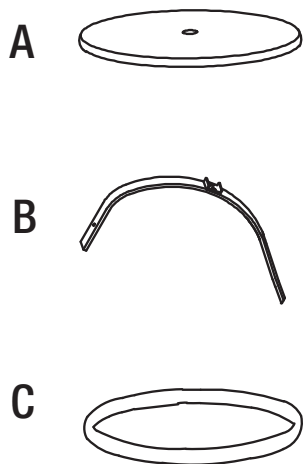


Part	Description	Quantity
AA	Bolt	4
BB	Screwdriver	1
CC	Washer	8
DD	Bolt (M6 x 25)	8
EE	Allen Wrench	1
FF	Bolt Cap	8
GG	Umbrella Cap	1

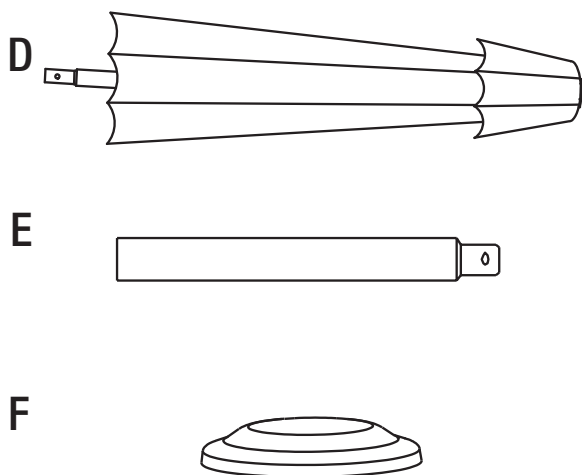
# Pre-Installation (continued)

## PACKAGE CONTENTS

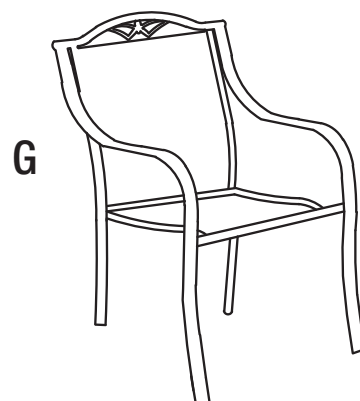
### TABLE PARTS



### UMBRELLA PARTS



### CHAIR

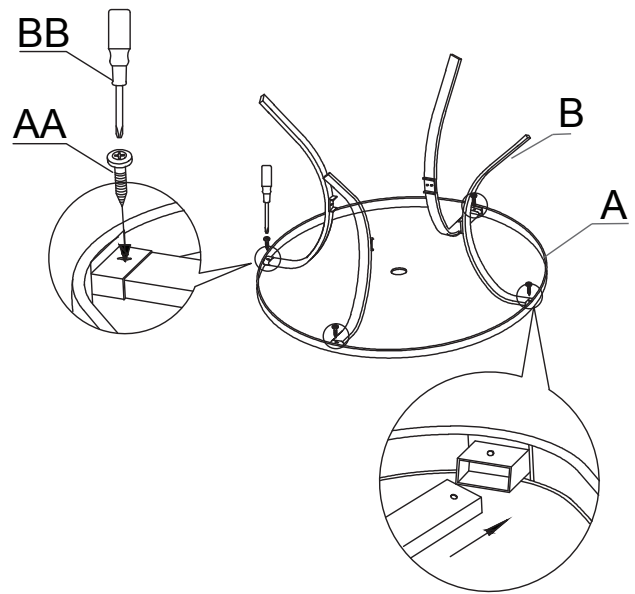


Part	Description	Quantity
A	Table Top	1
B	Table Leg	4
C	Leg Brace	1
D	Umbrella Frame with Canopy	1
E	Bottom Pole	1
F	Finial	1
G	Chair	4

# Table Assembly

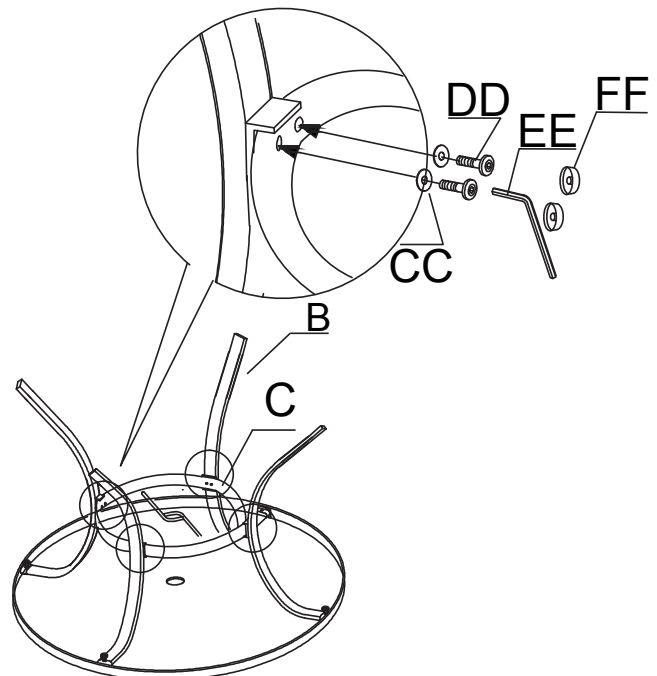
## 1 Attach the Legs to the Table Top

- Place the table top (A) upside down on a soft, clean, and level surface. Insert the legs (B) into the tabs on the table top (A) and secure in place using screws (AA). Tighten using the screwdriver (BB).



## 2 Attach the Leg Brace

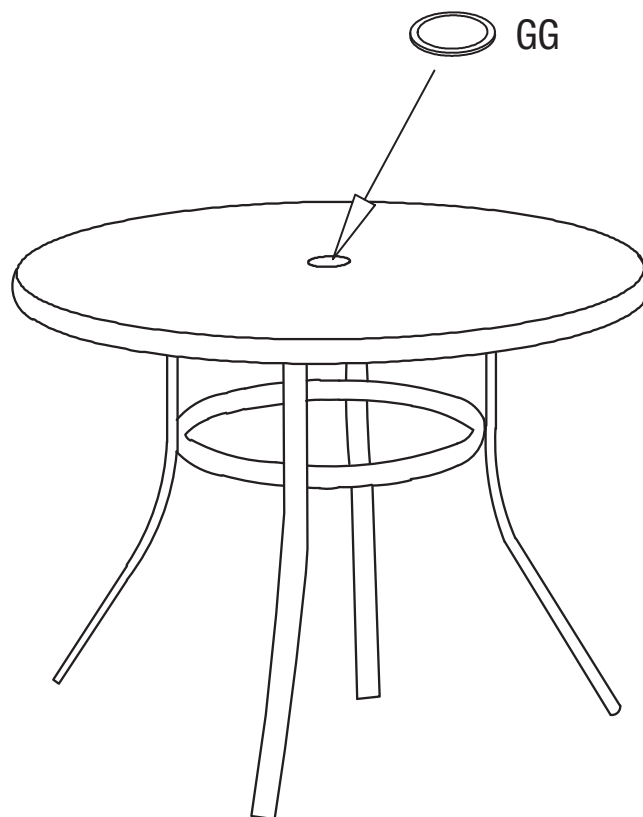
- Attach the leg brace (C) to the legs (B) using washers (CC) and bolts (DD). When all bolts are connected, tighten the bolts securely using the Allen wrench (EE). Place caps (FF) on the bolt heads.



## Table Assembly

### 3 Turn the Table Over

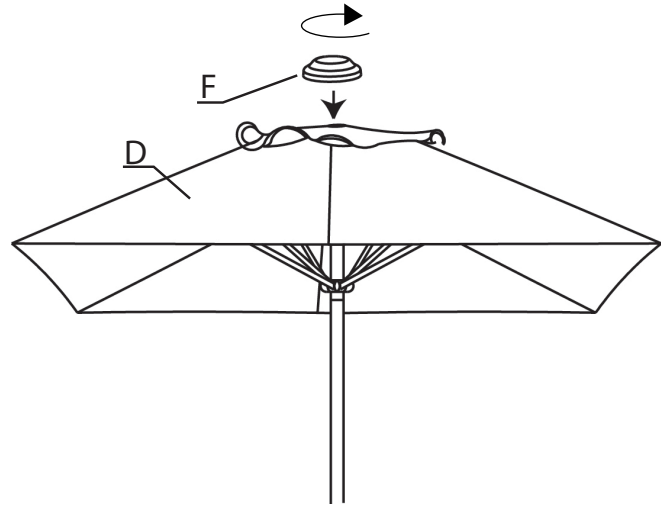
- Turn the table over, then cover the umbrella hole with the umbrella hole cap (GG).



# Umbrella Assembly

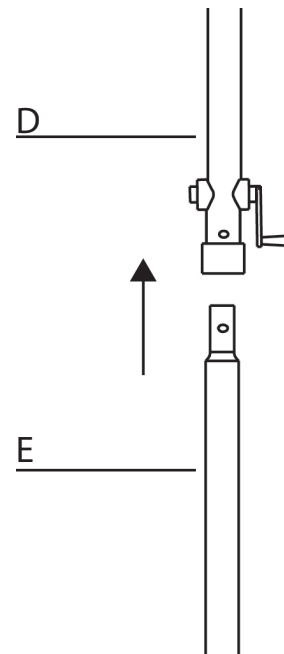
## 1 Attach the Finial

- Attach the finial (F) on the umbrella top (D) (if unattached) by screwing the finial onto the threaded screw-in adapter on the umbrella top. Twist until secure, but do not over tighten.



## 2 Assemble the Pole

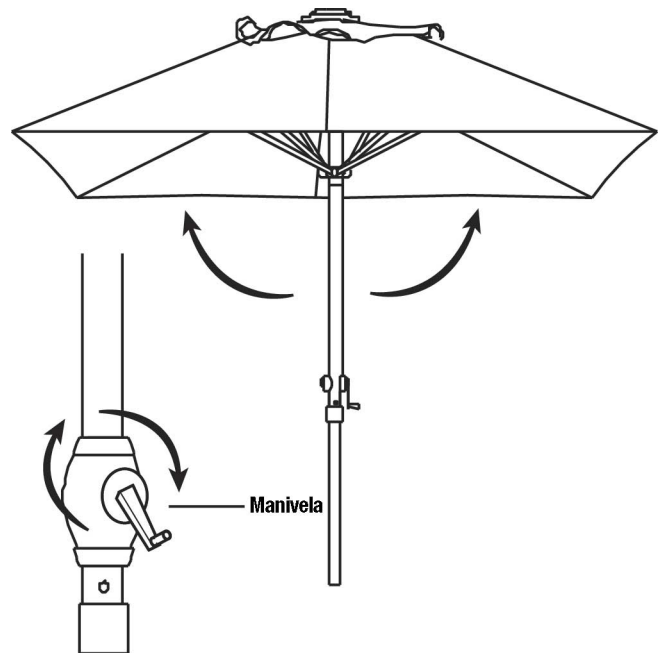
- Press the button on the bottom pole (E) and then insert the bottom pole (E) into the umbrella frame with canopy (D) until the pieces snap into place.



## Umbrella Assembly

### 3 Open/Close the Canopy

- Turn the crank handle in a clockwise direction to open the umbrella canopy. Turn in a counterclockwise direction to close the canopy.





## Maintenance

---

- Use mild soap and warm water to clean the frames.
- Rinse with clean water and dry thoroughly.
- Be sure to drain any water accumulated inside the frames. To thoroughly drain frames, remove footcaps and tilt frames, if necessary, to remove all water. Water allowed to accumulate inside the frames and then exposed to sub-freezing temperatures can cause damage to frame tubing. Such damage is not covered under warranty.
- Any rust spots should be lightly sanded and treated with rust inhibitor and followed with an application of touch-up paint (not included).
- Use commercially available glass cleaners. Do not use abrasive materials, cleansers or bleach products.
- Hand clean chair fabric with mild solution of soap and water. Rinse thoroughly. Do not use bleach or solvents on fabric.

## Canopy Care and Cleaning

---

- Simply clean the umbrella canopy with soft brush and mild detergent.
  - DO NOT machine wash or dry.
  - DO NOT iron.
  - AIR DRY the canopy thoroughly before storing for extended period of time.

**Questions, problems, missing parts?  
Before returning to the store, call Customer Service  
8 a.m. - 7 p.m., EST, Monday-Friday, 9 a.m. - 6 p.m., EST, Saturday**

**01 800 004 6633**

**HOMEDEPOT.MX**

**Retain this manual for future use.**

<b>For certification use only</b>
Factory chair ID # FRN-952560-C
Factory table ID # FRN-952560-T