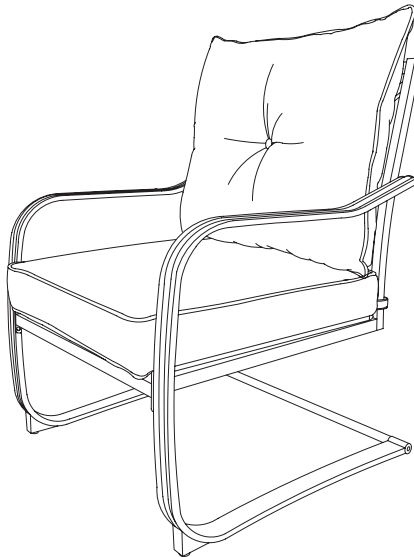


**IMPORTANT : RETAIN FOR FUTURE REFERENCE  
READ CAREFULLY**



The schematics in this manual are for assembly and operation illustration only.  
They may differ from the actual appearance.

For assistance with assembly, parts, or customer service, please contact:

***ATLeisure, LLC***

Toll Free: 1-855-880-7205 (English is offered)

8am - 5pm, Monday through Friday, Eastern Standard Time

Email: [customerservice@atleisure.com](mailto:customerservice@atleisure.com) or visit our website at [www.atleisure.com](http://www.atleisure.com)

**DO NOT RETURN TO STORE**

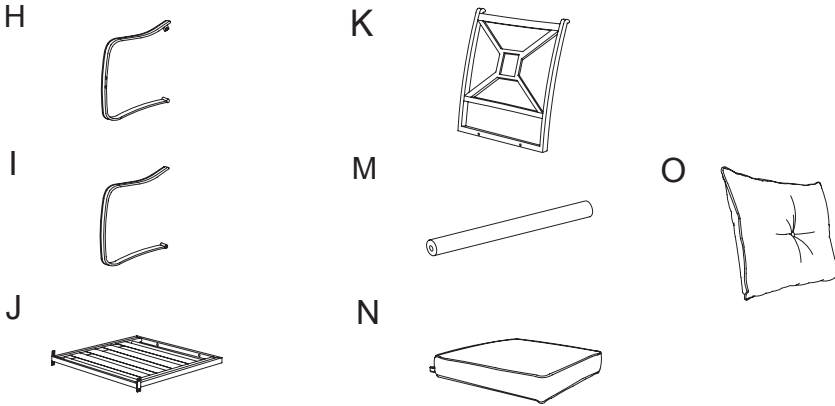
# Contents

---

Package Contents . . . . . 2  
 Preparation . . . . . 3  
 Hardware Contents . . . . . 3  
 Assembly . . . . . 4-5  
 Warranty . . . . . 6  
 Care and Maintenance . . . . . 6  
 Warnings and Cautions . . . . . 6

## Package Contents

---



Part	Description	Quantity
H	Right Leg	1
I	Left Leg	1
J	Seat	1
K	Back	1
M	Bottom Leg Bar	1
N	Seat Cushion	1
O	Back Cushion	1

## Preparation

---

**CAUTION:** Do not use sharp tools to remove the protective material, as it may damage the product.

Before assembling make sure all parts are present. Compare parts with package contents list and hardware contents list. If any part is missing or damaged, do not attempt to assemble the product. Contact our customer service representative for assembly assistance or questions toll free at 1-855-880-7205.

Estimated Assembly Time: 30 minutes

Tools required for Assembly: No tools required

## Hardware Contents

---

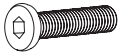
A



D



B



E

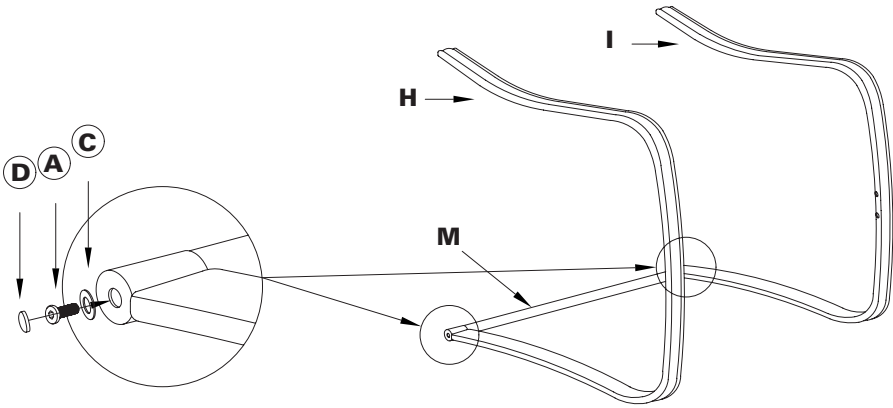


C

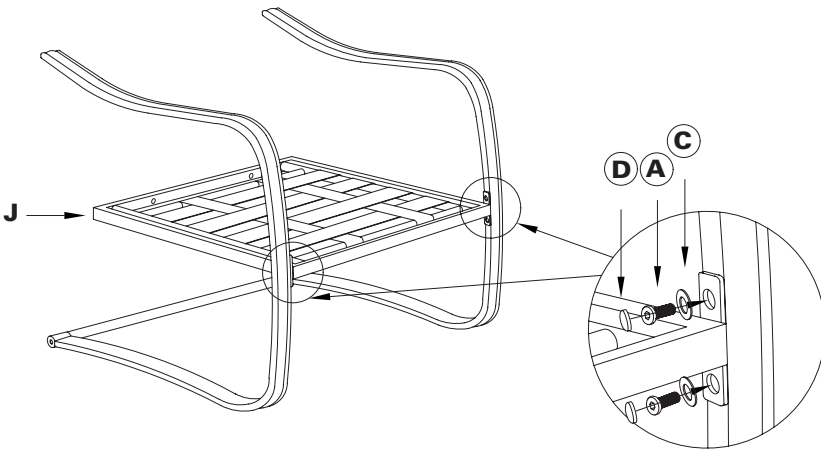


Part	Description	Quantity
A	Short Bolt (15mm)	6
B	Long Bolt (25mm)	4
C	Washer	10
D	Plastic Cap	10
E	Hex Key	1

# Assembly

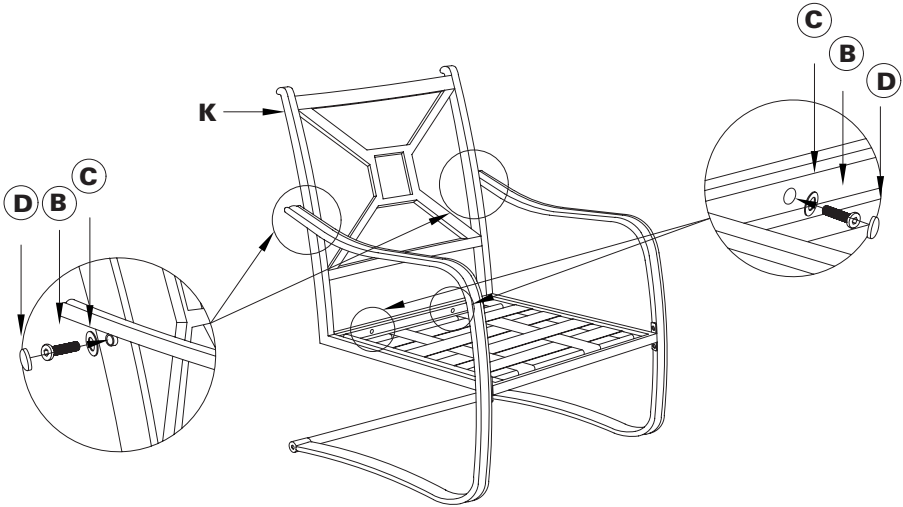


**Step 1:** Place the contents on a soft, flat surface. Align the bottom leg bar (M) hole with the right and left legs (H and I) as shown in the image above. Place the washers (C) over the holes and insert the short bolts (A). Use the hex key (E) to tighten the bolts, being careful not to over tighten. Finally cover the bolts (A) with the plastic caps (D).

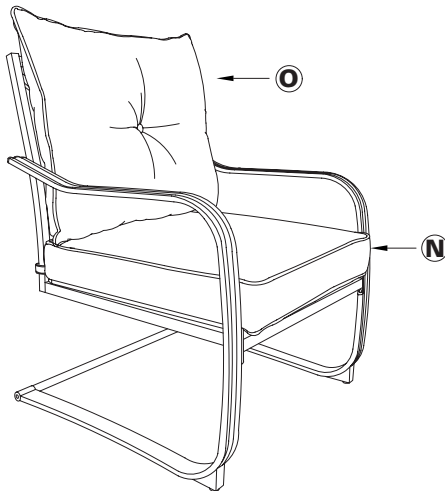


**Step 2:** Align the chair seat (J) with the holes at the front of the chair legs (H and I) as shown in the image above. Insert the washers (C) over the holes and insert the short bolts (A). Use the hex key (E) to tighten the bolts, being careful not to over tighten. Finally cover the bolts (A) with the plastic caps (D).

## Assembly (continued)



**Step 3:** Align the chair back (K) with the holes on the chair seat and chair legs as shown in the image above. Place the washers (C) over the holes and insert the long bolts (B). Use the hex key (E) to tighten bolts, being careful not to over tighten. Finally cover the bolts (B) with the plastic caps (D).



**Step 4:** Place the seat cushion (N) on the chair seat and back cushion (O) against the chair back. Repeat assembly steps for second chair.

## Warranty

---

### ONE YEAR WARRANTY

This product is covered under a manufacturer's one year warranty from date of purchase against defects in materials and workmanship. This warranty does not cover damage due to neglect, abuse or weather related damage. For full warranty disclosure, email us at [customerservice@atleisure.com](mailto:customerservice@atleisure.com), call toll free at 1-855-880-7205 or send mail to: 1040 Boulevard SE Ste. B, Atlanta GA 30312

### NOT COVERED UNDER WARRANTY

This Warranty excludes the following: general frame rusting; glass breakage; acts of nature (i.e. wind, fire, or freeze); damage caused by improper assembly, accident, disaster, misuse, abuse, negligence and commercial use; discoloration or fading of the finish or fabric as a result of exposure to the elements.

### HOW TO FILE A CLAIM

If you are within your warranty you must have your receipt and pictures of your information to send to ATLeisure at [customerservice@atleisure.com](mailto:customerservice@atleisure.com), or send by mail to 1040 Boulevard SE Ste. B, Atlanta GA 30312. This warranty gives you specific legal rights, and you may also have other rights which vary from state to state.

## Care and Maintenance

---

- Use mild soap and warm water to clean the frames.
- Rinse with clean water and dry thoroughly.
- Be sure to drain any water accumulated inside the frames. To thoroughly drain frames, remove foot caps and tilt frames, if necessary, to remove all water. Water allowed to accumulate inside the frames and then exposed to sub-freezing temperatures can cause damage to frame tubing. Such damage is not covered under warranty.
- Any rust spots should be lightly sanded and treated with rust inhibitor and followed with an application of touch-up paint (not included).
- Hand clean chair fabric with mild solution of soap and water. Rinse thoroughly. Do not use bleach or solvents on fabric.

## Warnings and Cautions

---



**DANGER:** Keep children out of the assembly area during assembly.



**WARNING:** Do not stand on chairs.



**CAUTION:** Use chairs on flat ground only.

**IMPORTANT:** Check the tightness of bolts at least every 90 days.



BACKYARD  
*Creations*®

ATLeisure, LLC  
1040 Boulevard SE, Suite B  
Atlanta, Georgia 30312, USA

**Customer Service Toll Free 1-855-880-7205**

8am - 5pm Eastern Time, Monday through Friday

**[www.atleisure.com](http://www.atleisure.com)**

2019 Distributed by Menard, Inc., Eau Claire, WI 54703

Made in China