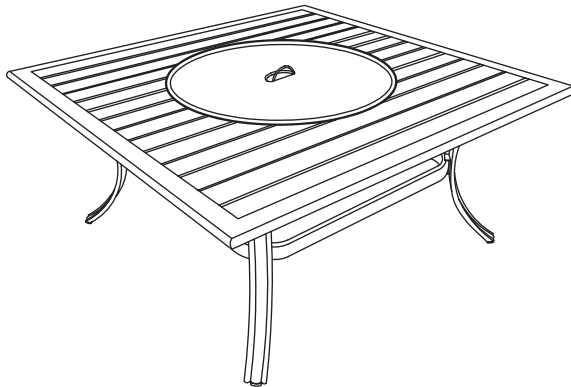




Knightdale Fire Table Assembly & Care Instructions

SKU #: 272-5339
Model #: FRN-600135T

**IMPORTANT : RETAIN FOR FUTURE REFERENCE
READ CAREFULLY**



The schematics in this manual are for assembly and operation illustration only.
They may differ from the actual appearance.

For assistance with assembly, parts, or customer service, please contact:

ATLeisure, LLC

Toll Free: 1-855-880-7205 (English is offered)

8am - 5pm, Monday through Friday, Eastern Standard Time

Email: customerservice@atleisure.com or visit our website at www.atleisure.com

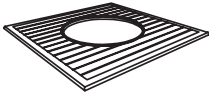
DO NOT RETURN TO STORE

Contents

Package Contents 2
 Preparation 3
 Hardware Contents 3
 Assembly 4-5
 Care and Maintenance 6
 Warnings and Cautions 6

Package Contents

H



K



I



M



J



N



Part	Description	Quantity
H	Table Top	1
I	Leg Brace	1
J	Leg	4
K	Bowl	1
M	Grate	1
N	Lid	1

Preparation

CAUTION: Do not use sharp tools to remove the protective material, as it may damage the product.

Before assembling make sure all parts are present. Compare parts with package contents list and hardware contents list. If any part is missing or damaged, do not attempt to assemble the product. Contact our customer service representative for assembly assistance or questions toll free at 1-855-880-7205.

Estimated Assembly Time: 30 minutes

Tools required for Assembly: No tools required

Hardware Contents

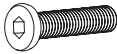
A



D



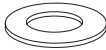
B



E

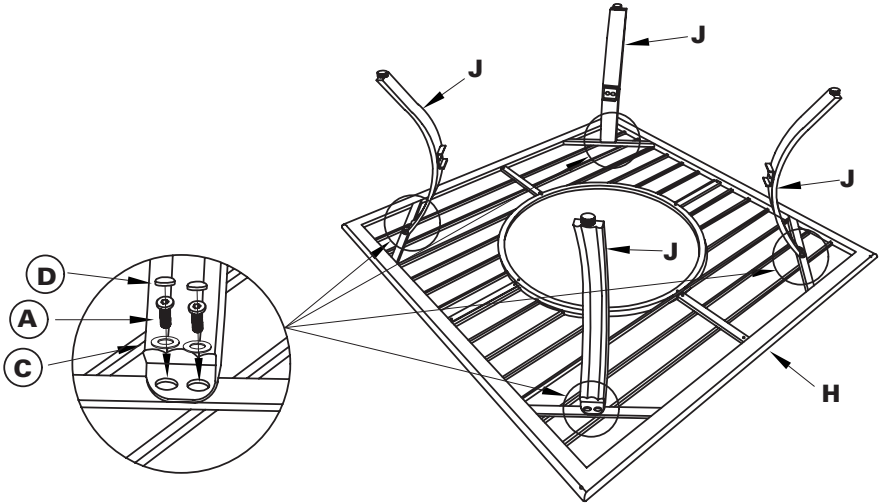


C

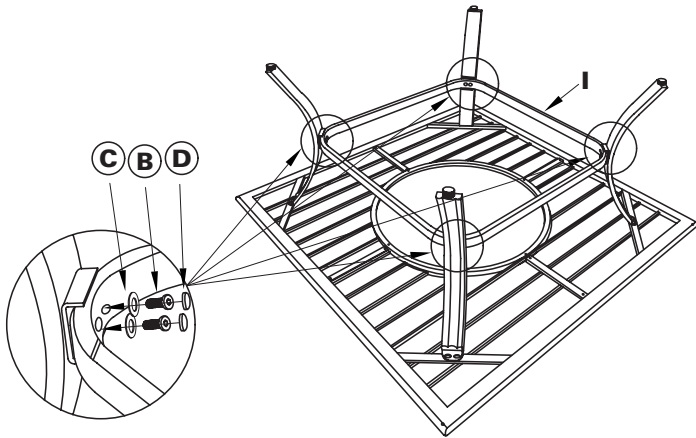


Part	Description	Quantity
A	Short Bolt (15mm)	8
B	Long Bolt (20mm)	8
C	Washer	16
D	Plastic Cap	16
E	Hex Key	1

Assembly

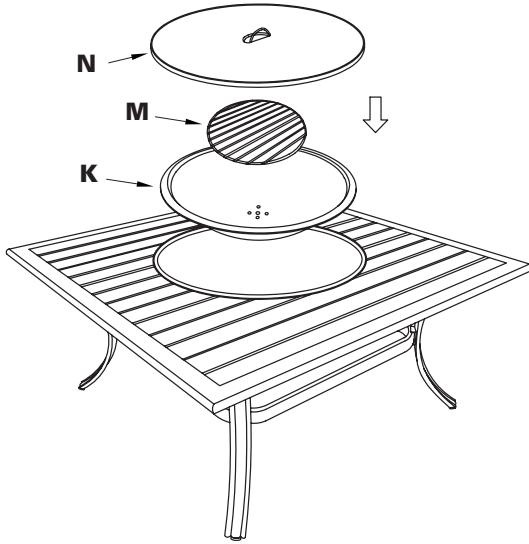


Step 1: Place tabletop (H) upside down on a soft, flat surface. Align the table leg (J) hole with the corresponding table top hole. Place washers (C) over table top hole and insert short bolts (A). Use the hex key (E) to tighten the bolts, being careful not to over tighten. Finally, cover the bolts (A) with the plastic caps (D).

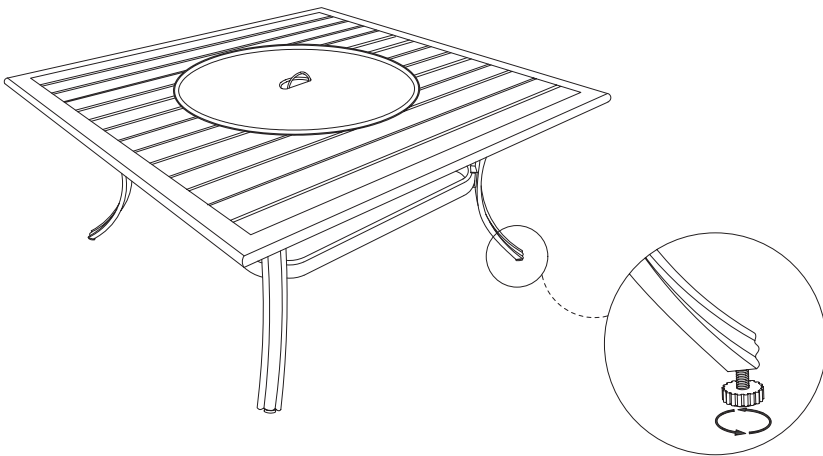


Step 2: Align the leg brace (I) holes with the corresponding table leg holes. Place washers (C) over the holes and insert long bolts (B) to attach the frame to the table legs. Use the hex key (E) to tighten the bolts, being careful not to over tighten. Finally cover the bolts (A) with the plastic caps (D).

Assembly (continued)



Step 3: Turn the table right side up and put the bowl (K) into the hole of table top. Then, put the grate (M) on the bowl. Finally, cover the bowl with the lid (N).



Step 4: Put the table on a flat surface. Please adjust the plastic leveling feet if the four legs are not level. The table is now ready for use.

Warranty

ONE YEAR WARRANTY

This product is covered under a manufacturer's one year warranty from date of purchase against defects in materials and workmanship. This warranty does not cover damage due to neglect, abuse or weather related damage. For full warranty disclosure, email us at customerservice@atleisure.com, call toll free at 1-855-880-7205 or send mail to: 1040 Boulevard SE Ste. B, Atlanta GA 30312

NOT COVERED UNDER WARRANTY

This Warranty excludes the following: general frame rusting; glass breakage; acts of nature (i.e. wind, fire, or freeze); damage caused by improper assembly, accident, disaster, misuse, abuse, negligence and commercial use; discoloration or fading of the finish or fabric as a result of exposure to the elements.

HOW TO FILE A CLAIM

If you are within your warranty you must have your receipt and pictures of your information to send to ATLeisure at customerservice@atleisure.com, or send by mail to 1040 Boulevard SE Ste. B, Atlanta GA 30312. This warranty gives you specific legal rights, and you may also have other rights which vary from state to state.

Care and Maintenance

- Use mild soap and warm water to clean the frame.
- Rinse with clean water and dry thoroughly.
- Be sure to drain any water accumulated inside the frame. To thoroughly drain frame, remove foot caps and tilt frames, if necessary, to remove all water. Water allowed to accumulate inside the frames and then exposed to sub-freezing temperatures can cause damage to frame tubing. Such damage is not covered under warranty.
- Any rust spots should be lightly sanded and treated with rust inhibitor and followed with an application of touch-up paint (not included).

Warnings and Cautions



DANGER: Keep children out of the assembly area during assembly.



WARNING: Do not stand on table.



CAUTION: Use table on flat ground only.

IMPORTANT: Check the tightness of bolts at least every 90 days.

Warnings and Cautions (continued)



WARNING: Fire pit is for outdoor use only. Never leave a fire unattended. Do not allow children or pets near the fire pit without supervision. Do not use the fire pit to cook food. Lift mesh wire cover by using the poker when the fire pit is in use.



WARNING: Never leave the fire unattended.



CAUTION: Burn only wood or charcoal in the fire pit. Do not use gasoline or kerosene to start the fire in your fire pit. Use only an acceptable method of lighting the fire such as a match or lighter. Do not use the fire pit on a wood deck or other combustible surfaces such as dry grass, leaves, mulch, etc.



CAUTION: Place the fire pit no closer than 5 ft. from walls during use.



CAUTION: Do not attempt to move the fire pit while it is hot or in use.



WARNING: FUELS USED IN WOOD OR CHARCOAL BURNING APPLIANCES, AND THE PRODUCTS OF COMBUSTION OF SUCH FUELS, CAN EXPOSE YOU TO CHEMICALS INCLUDING CARBON BLACK, WHICH IS KNOWN TO THE STATE OF CALIFORNIA TO CAUSE CANCER, AND CARBON MONOXIDE, WHICH IS KNOWN TO THE STATE OF CALIFORNIA TO CAUSE BIRTH DEFECTS OR OTHER REPRODUCTIVE HARM. For more information go to: www.P65Warnings.ca.gov.

ADVERTENCIA: LOS COMBUSTIBLES USADOS EN EQUIPOS PARA QUEMAR MADERA O CARBÓN, ASÍ COMO LOS PRODUCTOS DE TAL COMBUSTIÓN, PUEDEN EXPONERTE A SUSTANCIAS QUÍMICAS, ENTRE ÉLLAS EL NEGRO DE HUMO Y EL MONÓXIDO DE CARBONO, QUE EL ESTADO DE CALIFORNIA RECONOCE COMO CAUSA, RESPECTIVAMENTE, DE CÁNCER Y DE MALFORMACIONES CONGÉNITAS Y OTROS DAÑOS AL SISTEMA REPRODUCTOR. Para más información, visite www.P65Warnings.ca.gov

BACKYARD
Creations®

ATLeisure, LLC
1040 Boulevard SE, Suite B
Atlanta, Georgia 30312, USA

Customer Service Toll Free 1-855-880-7205

8am - 5pm Eastern Time, Monday through Friday

www.atleisure.com

2019 Distributed by Menard, Inc., Eau Claire, WI 54703

Made in China