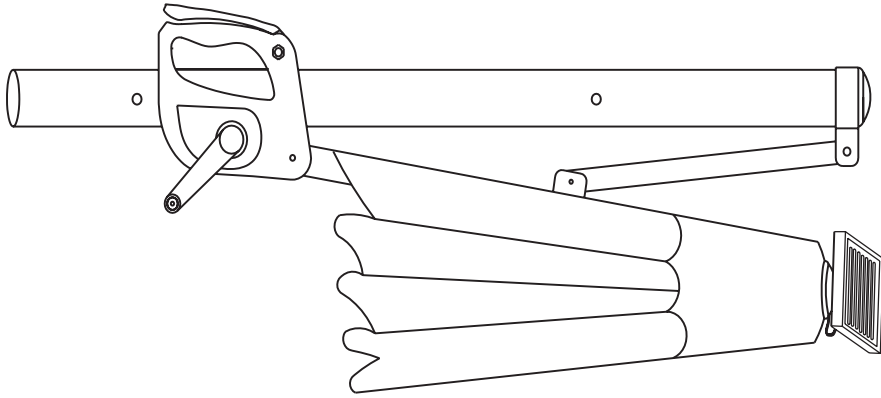


1.

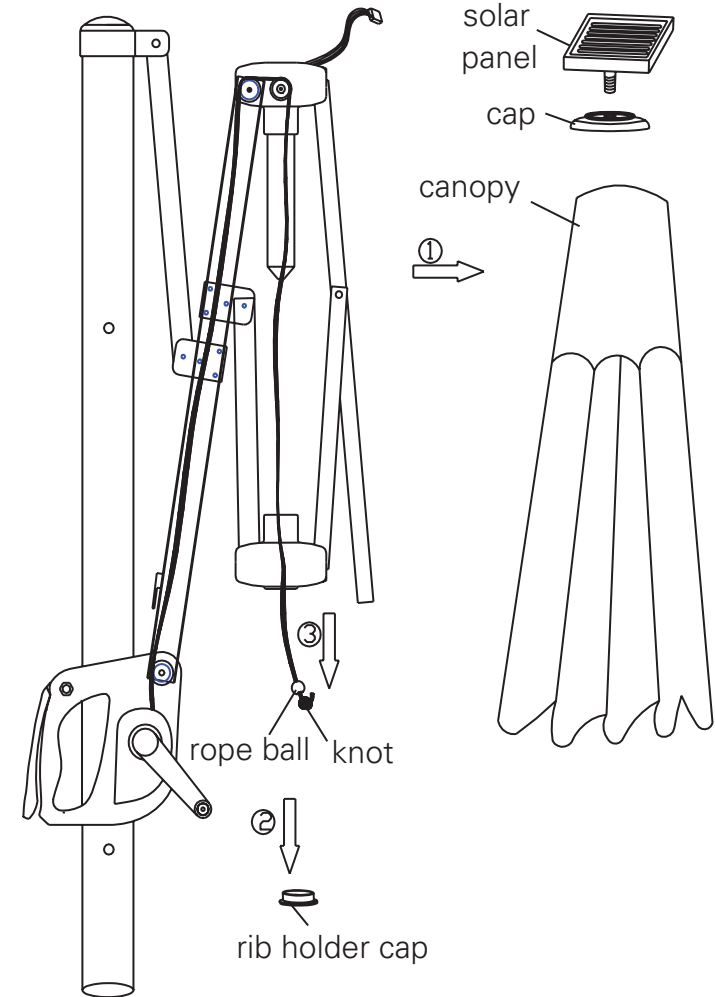


Instruction for Changing Broken Rope on Glide Handle Offset Umbrella

Step 1. Loosen the control knobs, take out the umbrella frame with canopy and place on a table, be careful not to damage canopy.

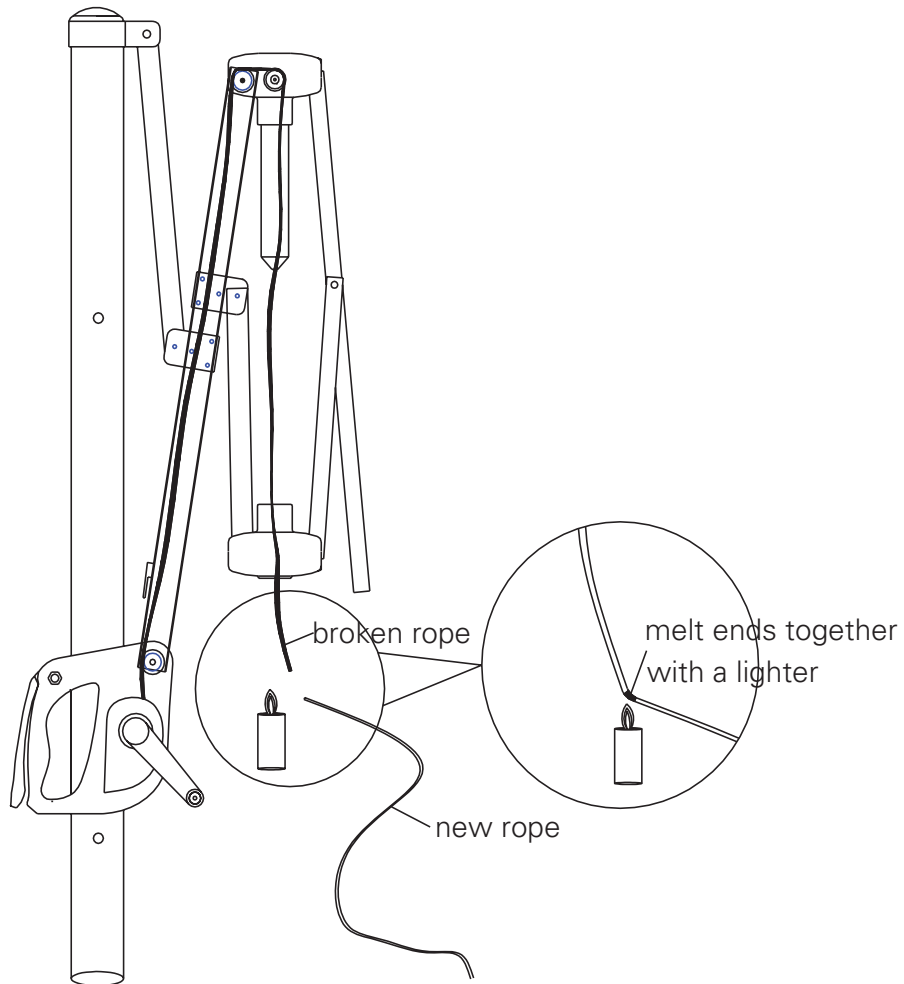


Step 2. Unscrew the solar panel and cap on the top of the umbrella. Pull out the canopy corner pockets off each rib end and then pull the whole canopy off the rib frame from the bottom to the top. Remove the rib holder cap from rib holder gently pull out the broken rope and loosen the knot.



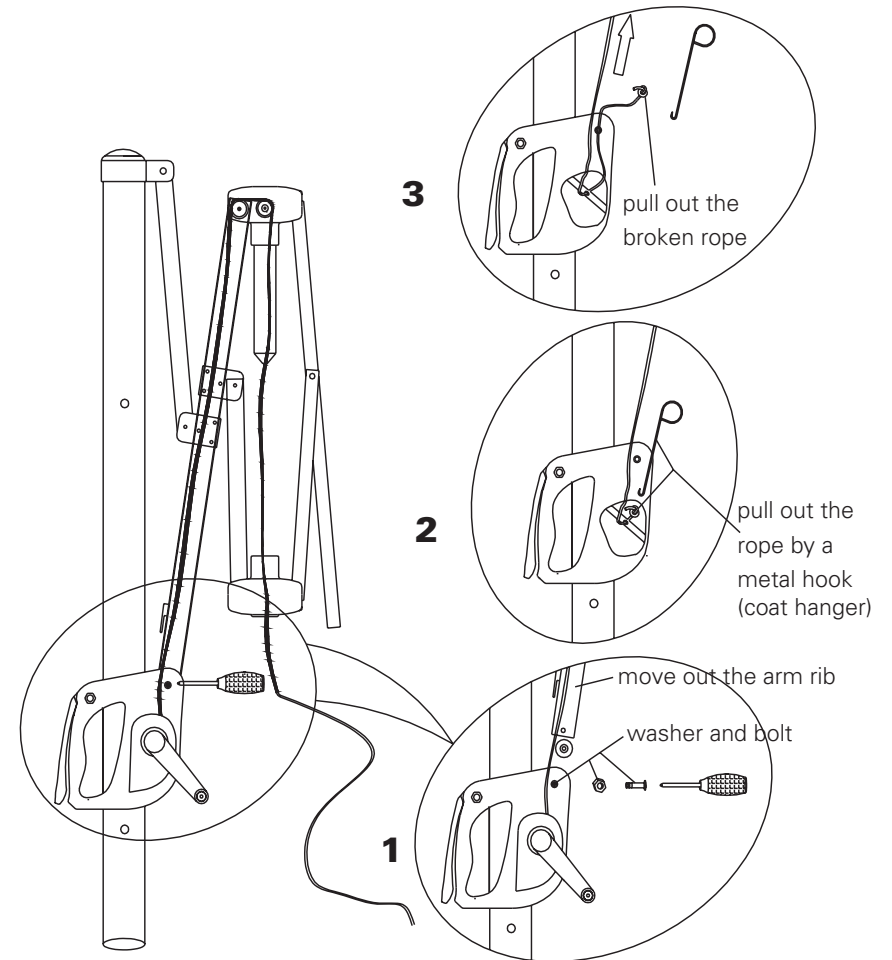
2.

Step 3. Attach the new rope to the old rope by melting ends together with a lighter. Move the rope ball at end of broken rope to the end of new rope.

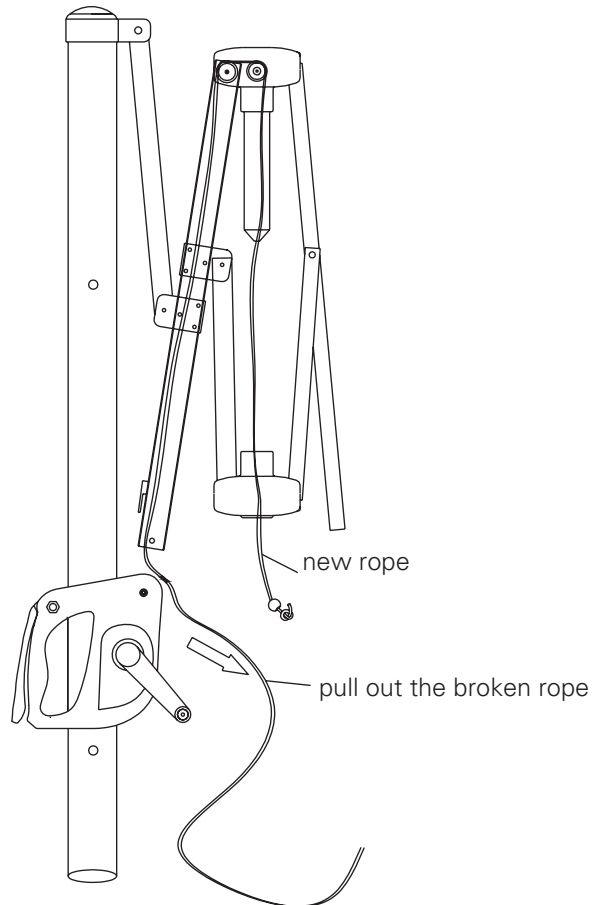


Step 4.

- 1.** Unscrew the washer and bolt with a screwdriver. Move out the arm rib and take out the pulley.
- 2.** Pull out the old rope from the crank housing with a metal hook (coat hanger).
- 3.** Loosen the knot and pull out the old rope from the crank housing.



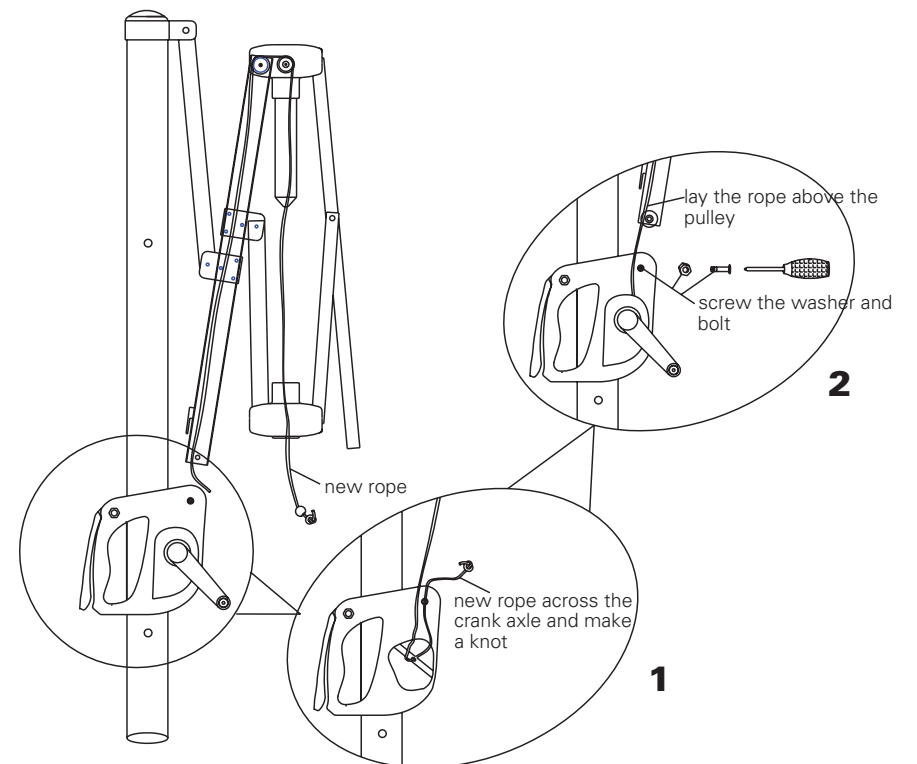
Step 5. Pull out the broken rope until new rope comes out from the arm rib. Hold the end of the old rope and cut the old rope from the new rope with scissors.



Step 6.

1. Put the new rope into the crank axle and make a knot at the end of the new rope. Make sure the knot is not loose.

2. Put the pulley into the arm rib and make sure the new rope is laid above the pulley. Connect the arm rib and crank housing by screwing the washer and bolt.



Step 7. Install the canopy, cap and solar panel.

atleisure[®]
create your escape

www.atleisure.com
ATLANTA, GEORGIA
Customer Service Toll Free 1-855-880-7205
Monday through Friday from 8:00am-5:00pm
(Eastern Time)