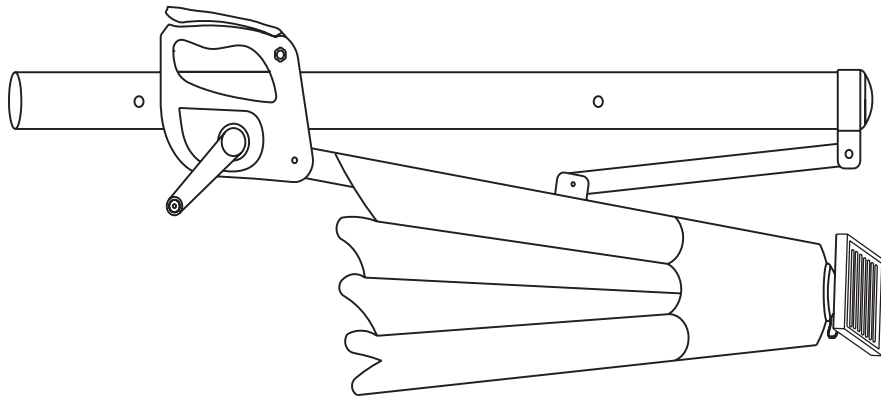


1.

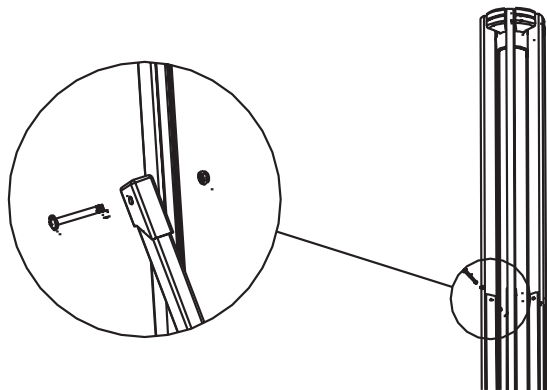


Instructions For Single Top Rib Replacement

Step 1. Unscrew both control knobs and remove umbrella from the holder pole. Lay umbrella down on a flat, clean surface. Take off the canopy and lay aside.

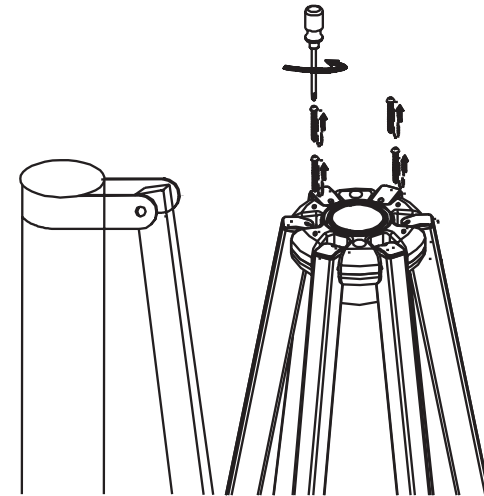


Step 2. Unscrew the bolt from underside rib.

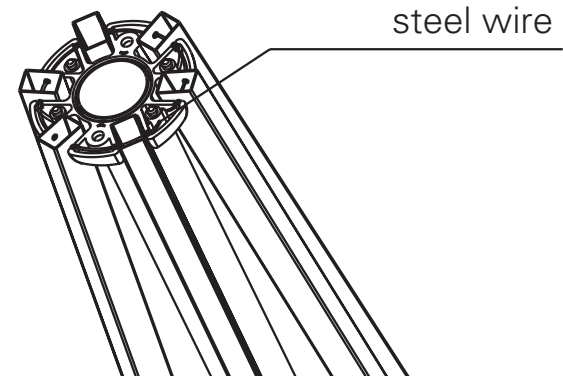


2.

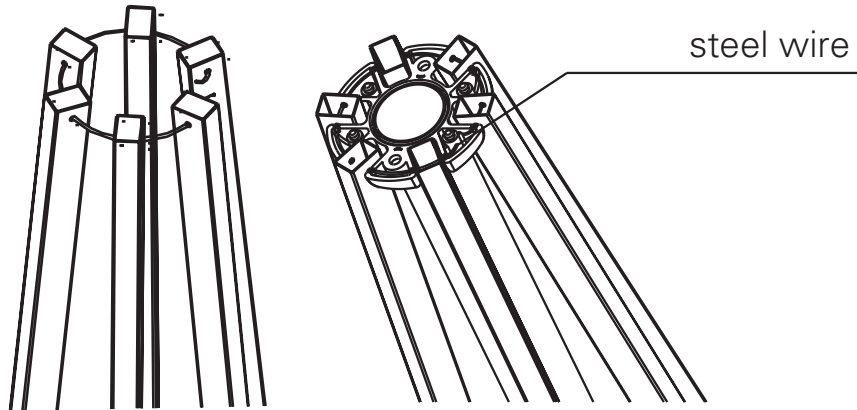
Step 3. Unscrew the bolts from the top rib holder, then take off the top rib holder.



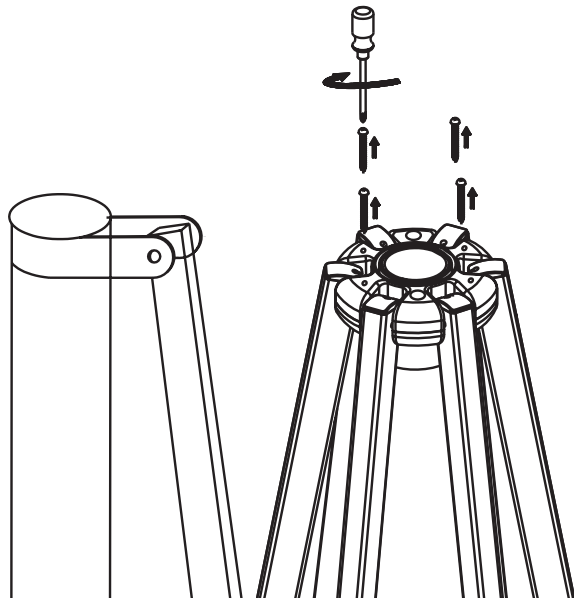
Step 4. Replace the bad rib with the good rib and use the steel wire to fasten them. If the steel wire is broken, a coat hanger or another piece of steel wire can be used.



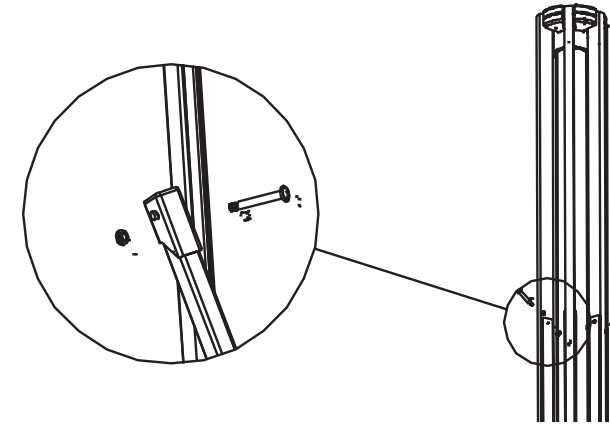
Step 5. Put the ribs back into the holder.



Step 6. Screw all the bolts back into the rib holder.



Step 7. Screw the bolt of the underside rib back to the longer rib.



Step 8. Replace canopy back onto umbrella.

atleisure[®]
create your escape

www.atleisure.com
ATLANTA, GEORGIA
Customer Service Toll Free 1-855-880-7205
Monday through Friday from 8:00am-5:00pm
(Eastern Time)