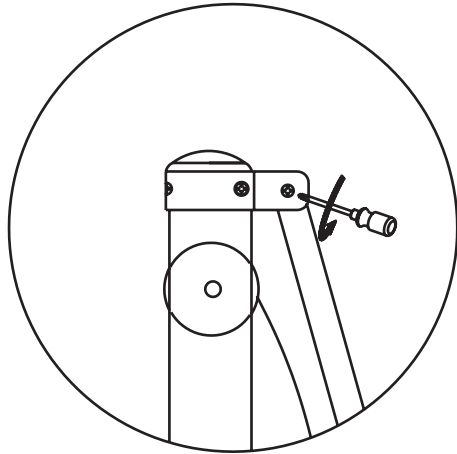


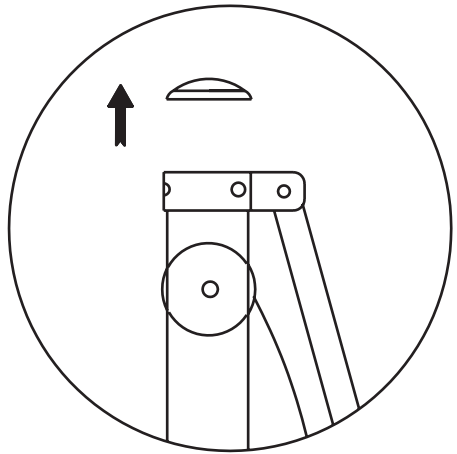


## Top Collar Replacement Instructions

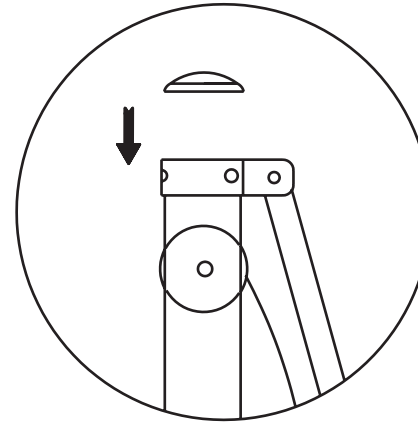


**Step 1.** Lay umbrella down on a flat surface.

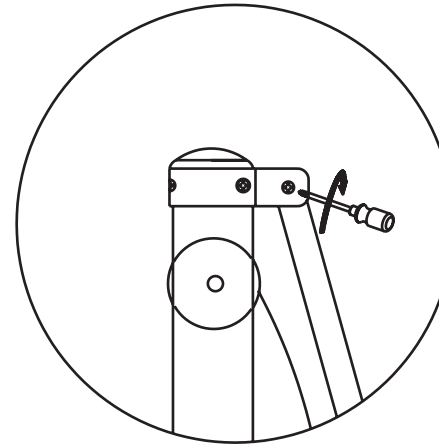
**Step 2.** Unscrew the bolt from the top collar with a Phillips head screwdriver.



**Step 3.** Unscrew the screw holding on the plastic decorative cap and top collar. Take off cap and top collar.



**Step 4.** Put the new top collar and plastic decorative cap on the main top.



**Step 5.** Screw in both screws back into the plastic decorative cap and the top collar.



www.atleisure.com  
ATLANTA, GEORGIA  
**Customer Service Toll Free 1-855-880-7205**  
Monday through Friday from 8:00am-5:00pm  
(Eastern Time)